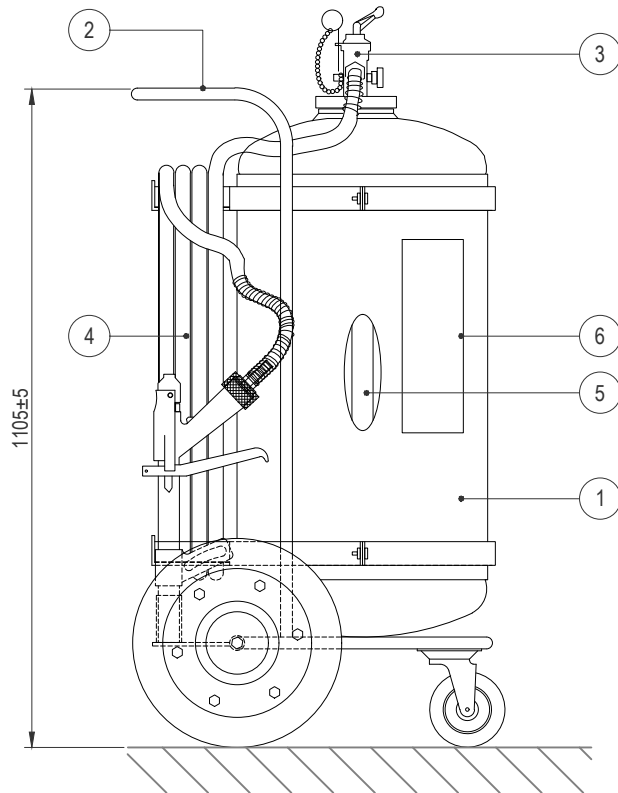
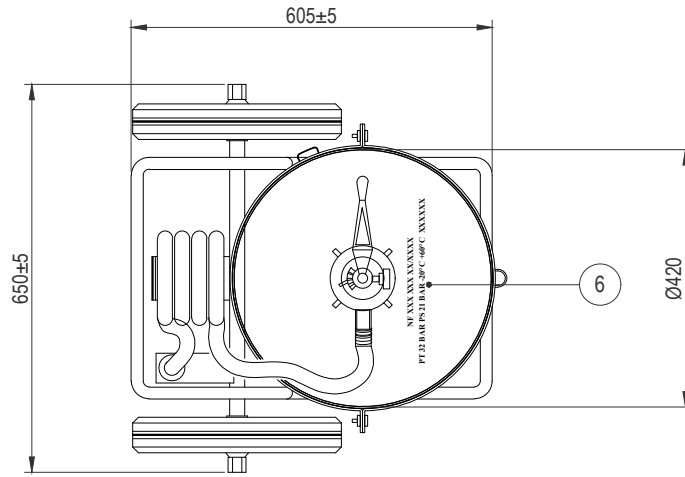


100KG. DCP MOBILE FIRE EXTINGUISHER -  
MODEL: NTPS 100



NOTES :-

1. ALL DIMENSIONS ARE IN mm. UNLESS OTHERWISE SPECIFIED

BILL OF MATERIALS

| ITEM NO. | DESCRIPTION               | MATERIAL               | QTY. |
|----------|---------------------------|------------------------|------|
| 1.       | CYLINDER ASSEMBLY         | EN10025-2 S275 JR      | 1    |
| 2.       | TROLLEY FRAME             | MILD STEEL             | 1    |
| 3.       | ROTARY VALVE              | BRASS NI CHROME PLATED | 1    |
| 4.       | DISCHARGE HOSE ASSEMBLY   | ---                    | 1    |
| 5.       | DIP TUBE                  | PVC                    | 1    |
| 6.       | MARKING & SCREEN PRINTING | ---                    | -    |

SPECIFICATION:-

|                        |                        |
|------------------------|------------------------|
| CAPACITY               | 100 KG                 |
| AGENT FILLED           | POTASSIUM BI-CARBONATE |
| MODEL                  | NTPS 100               |
| FIRE RATING            | IVB                    |
| WORKING PRESSURE       | 18 BAR                 |
| CYLINDER TEST PRESSURE | 32 BAR                 |
| DURATION OF DISCHARGE  | 85 - 90 SEC            |
| HOSE LENGTH & BORE     | 7 MTR. & 16 MM         |
| TOTAL WEIGHT           | ~ 172 KG               |
| TEMPERATURE LIMITS     | -20° C TO +60° C       |
| SAFETY RELEASE         | 24 - 28 BAR            |
| PROPELLANT             | NITROGEN OR AIR        |
| COLOUR OF EXTINGUISHER | RED (RAL 3000)         |

MANUFACTURING STANDARD : BSEN 1866-1 : 2007 & BSEN 1866-2 :2014