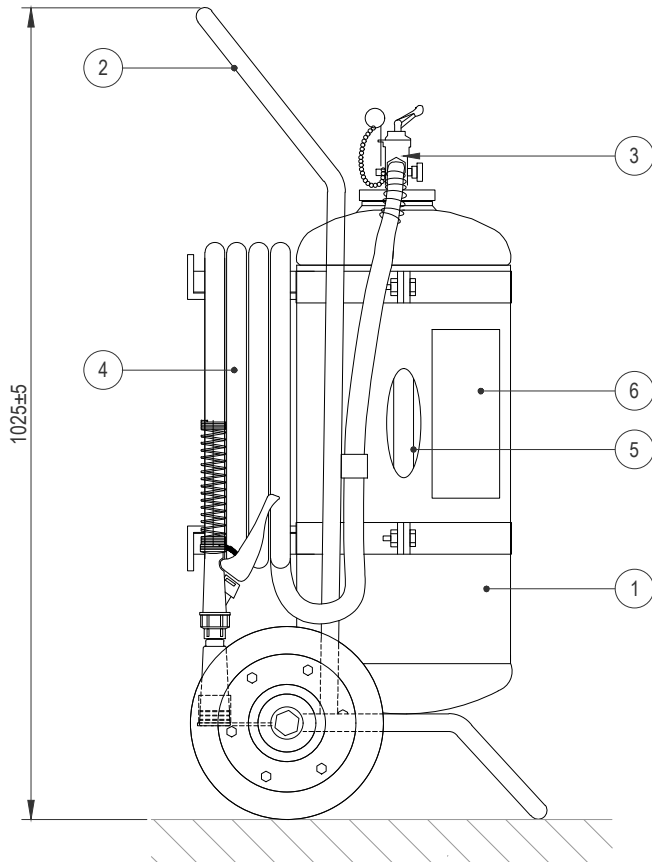
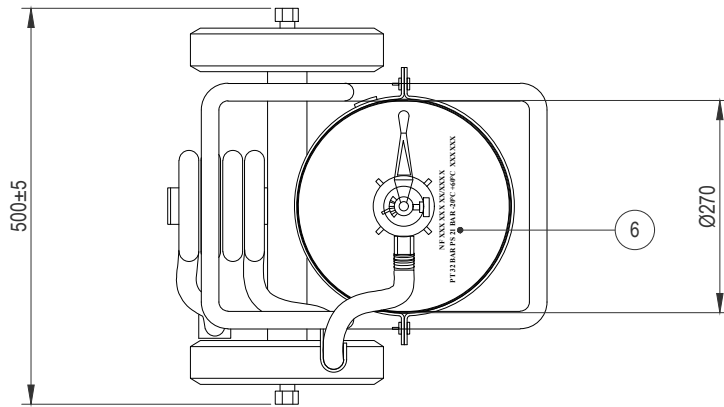


**25KG. DCP MOBILE FIRE EXTINGUISHER -  
MODEL: NTPS 25**



**NOTES :-**

1. ALL DIMENSIONS ARE IN mm. UNLESS OTHERWISE SPECIFIED

**BILL OF MATERIALS**

| ITEM NO. | DESCRIPTION               | MATERIAL               | QTY. |
|----------|---------------------------|------------------------|------|
| 1.       | CYLINDER ASSEMBLY         | EN10025-2 S275 JR      | 1    |
| 2.       | TROLLEY FRAME             | MILD STEEL             | 1    |
| 3.       | ROTARY VALVE              | BRASS NI CHROME PLATED | 1    |
| 4.       | HOSE ASSEMBLY             | ---                    | 1    |
| 5.       | DIP TUBE                  | PVC                    | 1    |
| 6.       | MARKING & SCREEN PRINTING | ---                    | -    |

**SPECIFICATION:-**

|   |                        |
|---|------------------------|
| CAPACITY  | 25 KG                  |
| AGENT FILLED  | POTASSIUM BI-CARBONATE |
| MODEL   | NTPS 25                |
| FIRE RATING   | IIB                    |
| WORKING PRESSURE  | 18 BAR                 |
| CYLINDER TEST PRESSURE  | 32 BAR                 |
| DURATION OF DISCHARGE   | 25 - 30 SEC            |
| HOSE LENGTH & BORE  | 5 MTR. & 16 MM         |
| TOTAL WEIGHT  | ~ 63 KG                |
| TEMPERATURE LIMITS  | -20° C TO +60° C       |
| SAFETY RELEASE  | 24 - 28 BAR            |
| PROPELLANT  | NITROGEN OR AIR        |
| COLOUR OF EXTINGUISHER  | RED (RAL 3000)         |
| MANUFACTURING STANDARD : BSEN 1866-1 : 2007 & BSEN 1866-2 :2014 |                        |