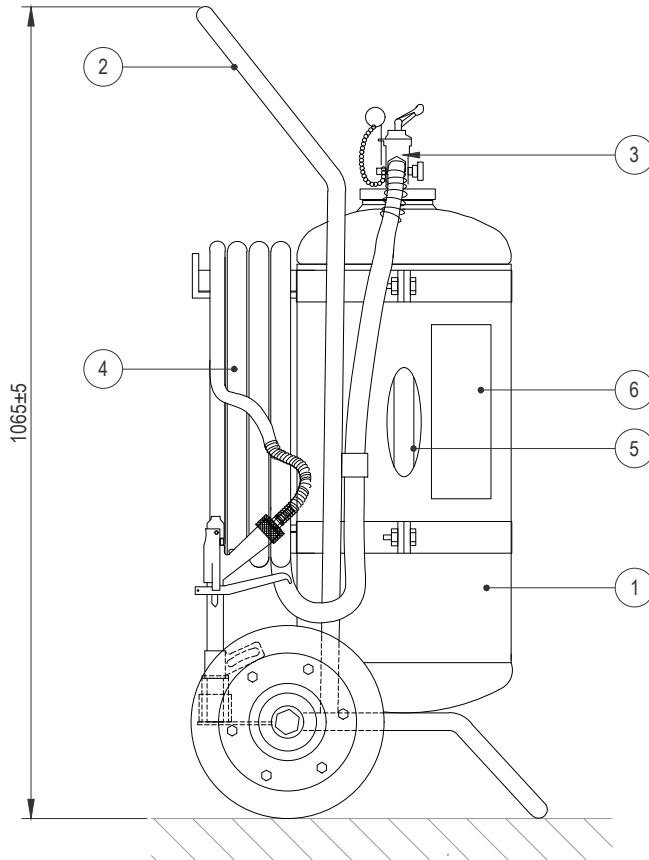
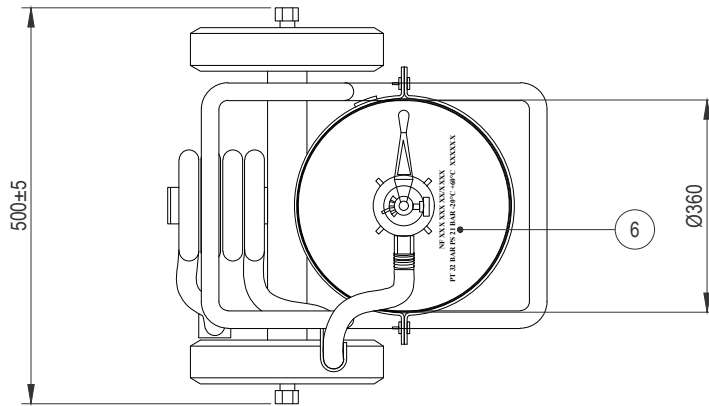


50KG. DCP MOBILE FIRE EXTINGUISHER -  
MODEL: NTPS 50



NOTES :-

1. ALL DIMENSIONS ARE IN mm. UNLESS OTHERWISE SPECIFIED

BILL OF MATERIALS

| ITEM NO. | DESCRIPTION               | MATERIAL               | QTY. |
|----------|---------------------------|------------------------|------|
| 1.       | CYLINDER ASSEMBLY         | EN10025-2 S275 JR      | 1    |
| 2.       | TROLLEY FRAME             | MILD STEEL             | 1    |
| 3.       | ROTARY VALVE              | BRASS NI CHROME PLATED | 1    |
| 4.       | DISCHARGE HOSE ASSEMBLY   | ---                    | 1    |
| 5.       | DIP TUBE                  | PVC                    | 1    |
| 6.       | MARKING & SCREEN PRINTING | ---                    | -    |

SPECIFICATION:-

|   |                        |
|---|------------------------|
| CAPACITY  | 50 KG                  |
| AGENT FILLED  | POTASSIUM BI-CARBONATE |
| MODEL   | NTPS 50                |
| FIRE RATING   | IVB                    |
| WORKING PRESSURE  | 18 BAR                 |
| CYLINDER TEST PRESSURE  | 32 BAR                 |
| DURATION OF DISCHARGE   | 47 - 55 SEC            |
| HOSE LENGTH & BORE  | 5 MTR. & 16 MM         |
| TOTAL WEIGHT  | ~ 100 KG               |
| TEMPERATURE LIMITS  | -20° C TO +60° C       |
| SAFETY RELEASE  | 24 - 28 BAR            |
| PROPELLANT  | NITROGEN OR AIR        |
| COLOUR OF EXTINGUISHER  | RED (RAL 3000)         |
| MANUFACTURING STANDARD : BSEN 1866-1 : 2007 & BSEN 1866-2 :2014 |                        |