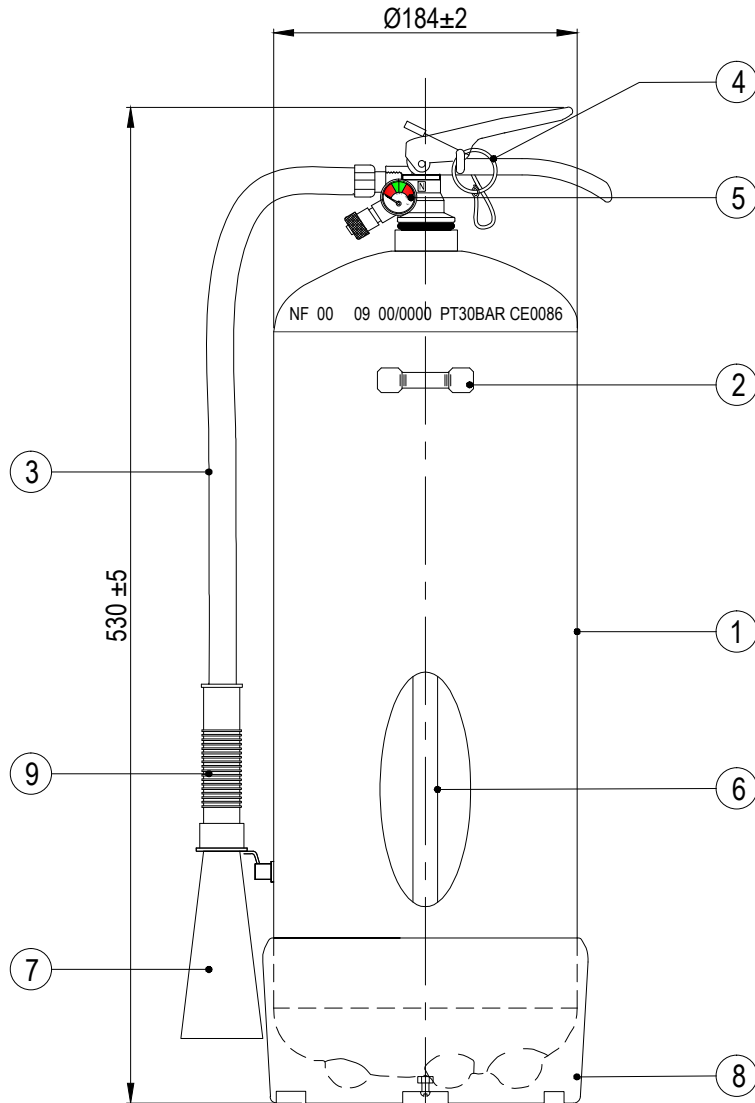


**9 kg. CLEAN AGENT FIRE EXTINGUISHER-  
MODEL:NHFC 9**



**NOTES :-**

- ALL DIMENSIONS ARE IN mm. UNLESS OTHERWISE SPECIFIED

**BILL OF MATERIALS**

ITEM NO.	DESCRIPTION	MATERIAL	QTY.
1	CYLINDER	CRCA STEEL SHEET	1
2	BRACKET HOLDER	CRCA STEEL SHEET	1
3	HOSE	RUBBER	1
4	EXTINGUISHER VALVE	BRASS CHROME PLATED	1
5	PRESSURE GAUGE	BRASS CHROME PLATED	1
6	DIP TUBE	PVC	1
7	NOZZLE	ALUMINIUM	1
8	BASE	PVC	1
9	HOSE GRIP	RUBBER	1

**SPECIFICATIONS**

MODEL	NHFC 9
EXTINGUISHER CAPACITY	9kg
PROPELLANT	95% NITROGEN + 5% HELIUM
FIRE RATING	8A 70B
WORKING PRESSURE	15 BAR
MAX. OP. PRESSURE	21 BAR @ 60°C
TEST PRESSURE	30BAR
TOTAL WEIGHT	13.8kg
RANGE OF DISCHARGE	4-5Mtr.
HOSE LENGTH WITH NOZZLE	595mm.
DURATION OF DISCHARGE	23-26 Sec.
OPERATING TEMPERATURE	-20°C TO +60°C
CYLINDER MATERIAL	CRCA STEEL SHEET
HEIGHT	530mm.
DIAMETER	184mm.