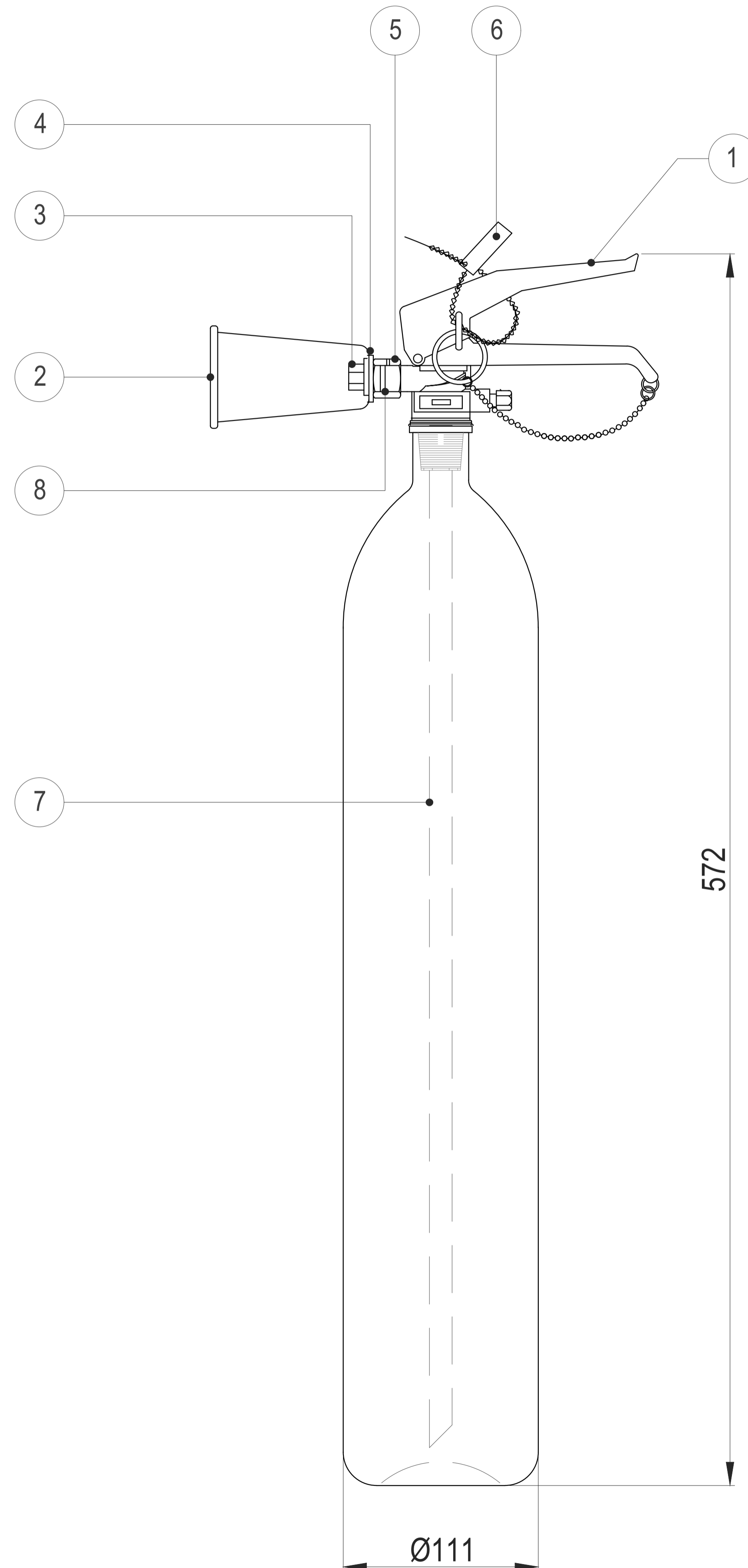


**2KG. CO₂ PORTABLE FIRE EXTINGUISHER
MODEL-NC2A****



NOTES :-

1. ALL DIMENSIONS ARE IN mm. UNLESS OTHERWISE SPECIFIED

ITEM NO.	DESCRIPTION	MATERIAL	QTY.
1	CONTROL VALVE	BRASS NI-PLATED	1
2	HORN	HDPE BLACK INJECTION MOULDED	1
3	INSIDE BOLT	EN-1A YELLOW PASSIVATED	1
4	LOCKING WASHER	EN-1A ZINC PLATED	1
5	NUT	EN-1A YELLOW PASSIVATED	1
6	SAFETY BELT	POLY PROPELENE YELLOW, INJECTION MOULDED	1
7	DIP TUBE	ALUMINIUM EXTRUDED	1
8	PVC WASHER	HDPE RED INJECTION MOULDED	1

SPECIFICATIONS

MODEL	NC2A**
PROPELLANT	SELF
EXTINGUISHANT	CO2
NOMINAL CHARGE	2 KG
FIRE RATING	55B
OPERATING TEMPERATURE	-20°C to +60°C
MAXIMUM OPERATING TEMPERATURE	174BAR@60°C
WORKING PRESSURE	55-60 BAR @ 25°C
DISCHARGE TIME	10 - 12 Sec
DISCHARGE RANGE	4 - 5 Mtr.
CYLINDER MATERIAL	Aluminium
OVER ALL HEIGHT	572 mm
DIAMETER	111 mm
TOTAL WEIGHT	4.9 Kg Approx.
MFG. STANDARD	BS EN 3
HOSE LENGTH	N/A
APPROVAL	BSI Kitemarked