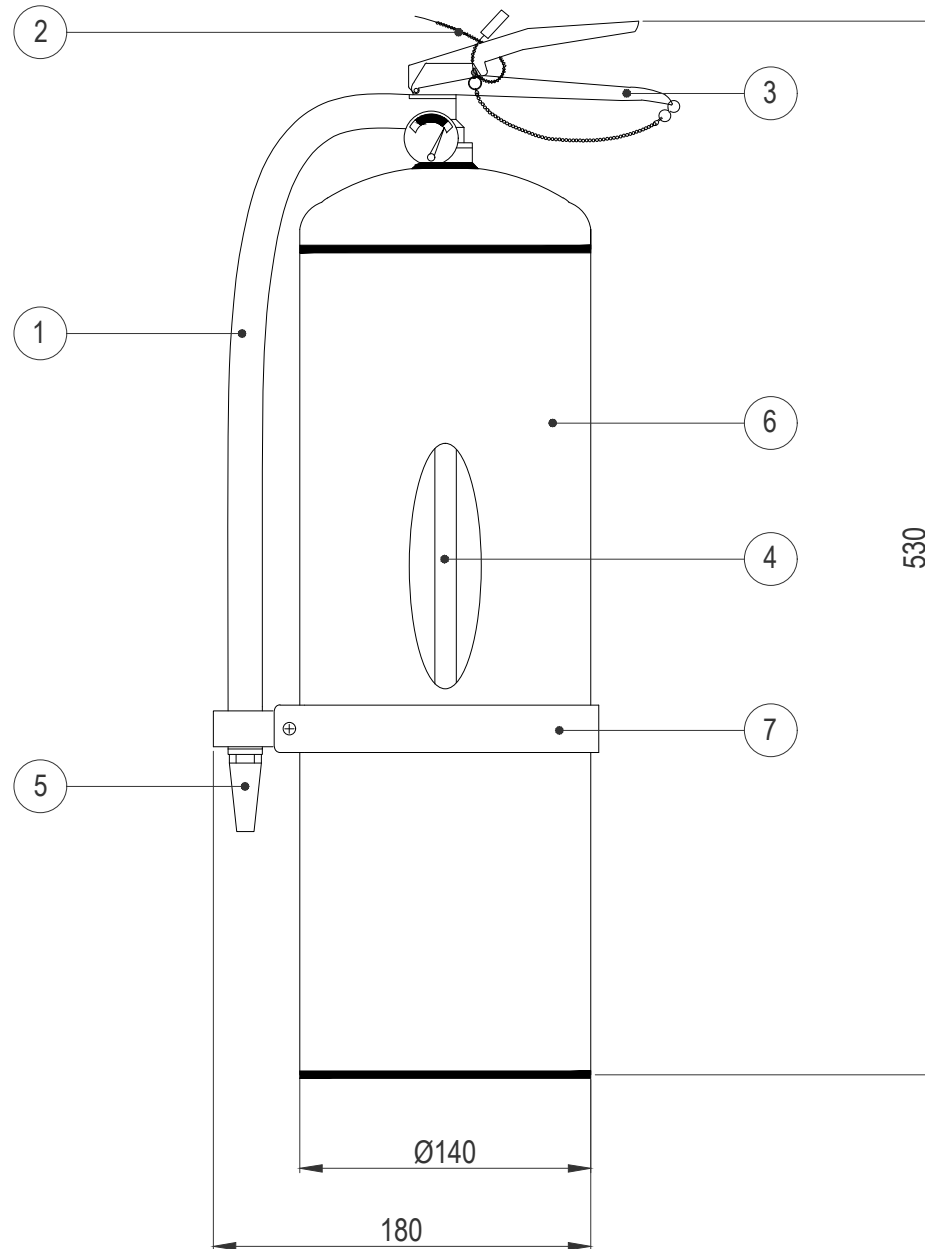


**10L. DCP FIRE EXTINGUISHER -  
MODEL: NP 10L**



**NOTES :-**

- ALL DIMENSIONS ARE IN mm. UNLESS OTHERWISE SPECIFIED

**BILL OF MATERIALS**

| ITEM NO. | DESCRIPTION        | MATERIAL                 | QTY. |
|----------|--------------------|--------------------------|------|
| 1        | HOSE               | HIGH PRESSURE HEAVY DUTY | 1    |
| 2        | SAFETY BELT        | PLASTIC                  | 1    |
| 3        | SQUEEZE GRIP VALVE | ALUMINIUM                | 1    |
| 4        | DIP TUBE           | ALUMINIUM                | 1    |
| 5        | DISCHARGE NOZZLE   | PLASTIC INJECTION MOLDED | 1    |
| 6        | CYLINDER           | ALUMINIUM                | 1    |
| 7        | BELT FOR HOSE ASSY | GALVANIZED IRON          | 1    |

**SPECIFICATION:-**

|                                 |                         |
|---------------------------------|-------------------------|
| MODEL NO.                       | NP 10L                  |
| EXTG.AGENT                      | ABC DRY CHEMICAL POWDER |
| CYLINDER CAPACITY               | 10 LB. (4.54KG)         |
| UL FIRE RATING                  | 4-A:60-B:C              |
| CYLINDER MATERIAL               | STEEL SHEET             |
| OVER ALL HEIGHT OF THE CYLINDER | +10.0<br>-0.0<br>530 mm |
| OUTSIDE DIAMETER                | 140 MM                  |
| UNIT WIDTH                      | 180MM                   |
| SHIP WEIGHT                     | 7.63 KG                 |
| DISCHARGE TIME                  | 20 SEC                  |
| RANGE (FT/M)                    | 20 / 6.1                |
| WORKING PRESSURE                | 195 psi                 |
| MAX. OPERATING TEMPERATURE      | -40° C ~ +49° C         |