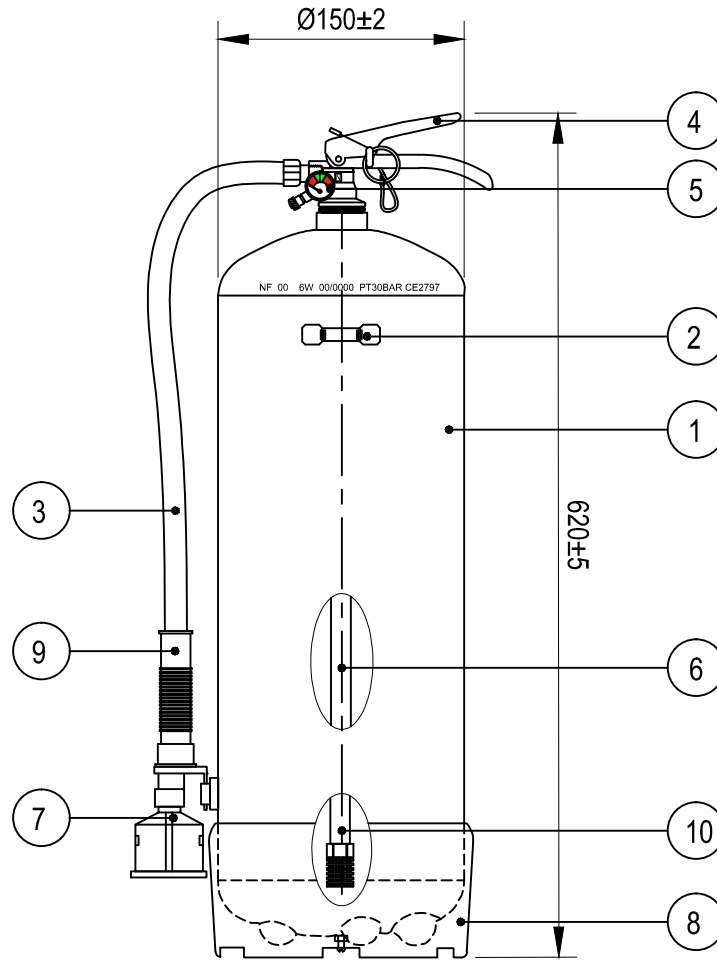


6 LTRS. WATER FIRE EXTINGUISHER
MODEL: NW 6X



NOTES :-

1. ALL DIMENSIONS ARE IN mm. UNLESS OTHERWISE SPECIFIED

BILL OF MATERIALS

SL. NO	DESCRIPTION	MATERIAL	QTY.
1	CYLINDER	CRCA STEEL SHEET	1
2	BRACKET HOLDER	CRCA STEEL SHEET	1
3	HOSE	RUBBER	1
4	EXTINGUISHER VALVE	BRASS CHROME PLATED	1
5	PRESSURE GAUGE	BRASS CHROME PLATED	1
6	DIP TUBE	PVC	1
7	NOZZLE	PVC	1
8	BASE	PVC	1
9	HOSE GRIP	RUBBER	1
10	FILTER	PVC	1

SPECIFICATION:-

MODEL No.	NW 6X
EXTINGUISHER CAPACITY	6L
PROPELLANT	95% NITROGEN + 5% HELIUM
FIRE RATING	13A
WORKING PRESSURE	14 BAR
MAXIMUM OPERATING PRESSURE	18.5 BAR @ 60°C
TEST PRESSURE	30 BAR
TOTAL WEIGHT	11.5 Kg
RANGE OF DISCHARGE	6m
DURATION OF DISCHARGE	25-27 Sec.
HOSE LENGTH WITH NOZZLE	680mm
OPERATING TEMPERATURE	+5°C TO +60°C
CYLINDER MATERIAL	CRCA STEEL SHEET
HEIGHT x DIAMETER (mm)	620 x 150