

GATE VALVES

MODEL: NFGV-25

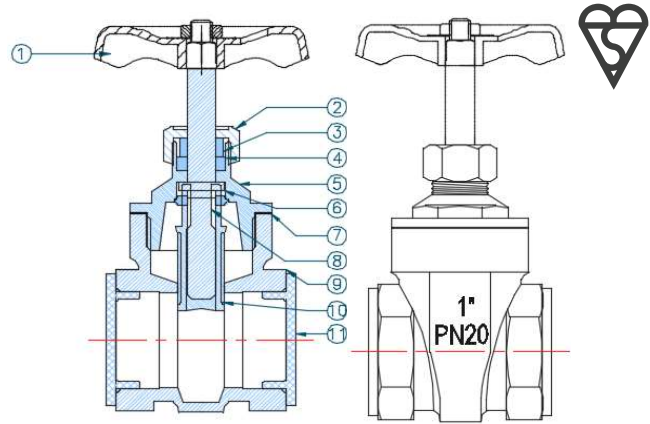
NAFFCO Gate Valve is usually installed in Dry riser inlets and Fire hose reel assembly where unauthorized operation has to be avoided. A typical application of this valve is installing these at inlet pipe to the hose reel where it can be opened for maintenance or fire safety department and Dry riser assembly for draining purpose.

FEATURES

- Solid Wedge, non rising stem, screwed in bonnet.
- Valves are manufactured in accordance to BS 12288 series B.
- Service temperature -10°C to 66°C
- Pressure rating is PN 20.
- End connection is BSPT threaded to ISO 7-1.
- Material: Brass

HYDROSTATIC PRESSURE TEST DETAILS

Seat Test	22 bar for 10 min.
Body Test	30 bar for 10 min.
Strength Test	50 bar for 30 secs.
Size	1"



BILL OF MATERIALS

SI.No	Description	Material
1	Hand Wheel	Steel, Red painted
2	Gland	CZ121
3	Brass Bush	CZ121
4	Gland Seal	Nylon
5	Bonnet	CZ122
6	Cap	CZ121
7	Bonnet Sealing	Nylon
8	Stem	CZ121
9	Valve Body	CZ122
10	Wedge	CZ122
11	Sheath	PVC

LOCK SHIELD VALVES

MODEL: NLSV-25

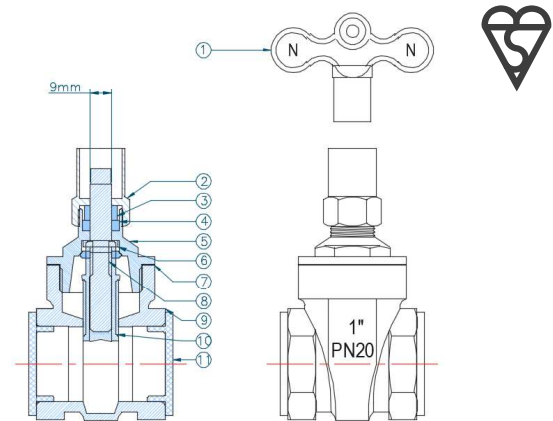
NAFFCOLock Shield Valve is usually installed in Fire hose reel assembly where unauthorized operation has to be avoided. A typical application of this valve is installing these at inlet pipe to the hose reel where it can be opened only by key and key kept by maintenance or fire safety department.

FEATURES

- Solid Wedge, non rising stem, screwed in bonnet.
- Valves are manufactured in accordance to BS 12288 series B.
- Service temperature -10°C to 66°C
- Pressure rating is PN 20.
- End connection is BSPT threaded to ISO 7-1.
- Material: Brass

HYDROSTATIC PRESSURE TEST DETAILS

Seat Test	22 bar for 10 min.
Body Test	30 bar for 10 min.
Strength Test	50 bar for 30 secs.
Size	1"



BILL OF MATERIALS

SI.no	Description	Material
1	Key	CZ122
2	Cap	CZ121
3	Gland	CZ121
4	Gland Seal	Nylon
5	Bonnet	CZ122
6	Cap	CZ121
7	Seal	Nylon
8	Stem	CZ121
9	Valve Body	CZ122
10	Wedge	CZ122
11	Sheath	PVC