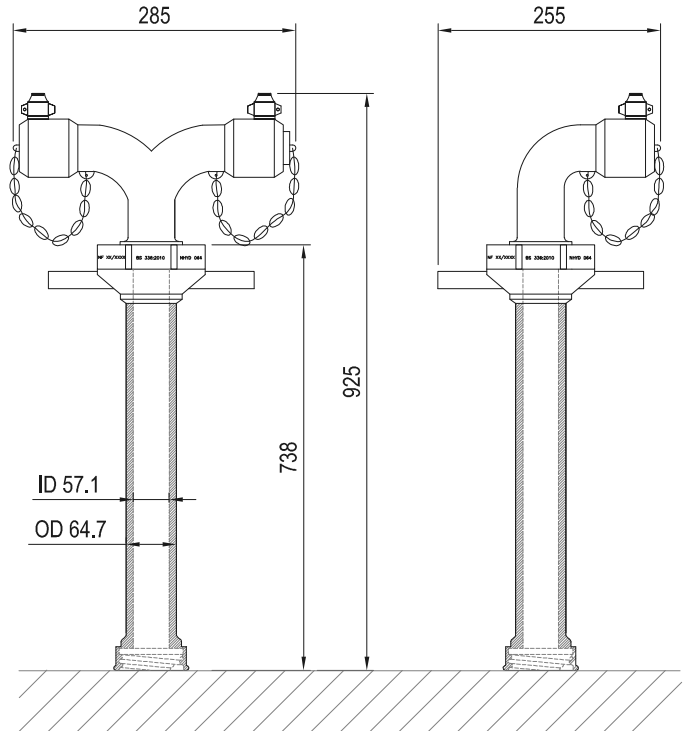


STAND PIPE OUTLET (SINGLE & DOUBLE)



DOUBLE OUTLET
MODEL: NHYD 064

SINGLE OUTLET
MODEL: NHYD 062



PRODUCT DESCRIPTION

NAFFCO Standpipes are suitable for installation on underground hydrants for firefighting purpose changed with water from a pressurized supply.

These standpipes are designed and manufactured to comply BS336:2010 Standard with screwed inlet threaded and comprising of male instantaneous connections.

FEATURES

- BSI Kitemark approved
- Body and outlet cap material made of Aluminum Alloy
- Standpipes are designed with swivel upper end so that at the outlets can be rotated 360° for operation

BILL OF MATERIAL

Model Number	NHYD 062	NHYD 064
Type	Single Outlet	Double Outlet
Material	Aluminum Alloy	
Inlet Connection	3" female BSRT to BS336	
Outlet Connection	1 x 2 1/2" female instantaneous coupling to BS 336	2 x 2 1/2" female instantaneous coupling to BS336
Test Pressure	24 bar for 2 minutes	