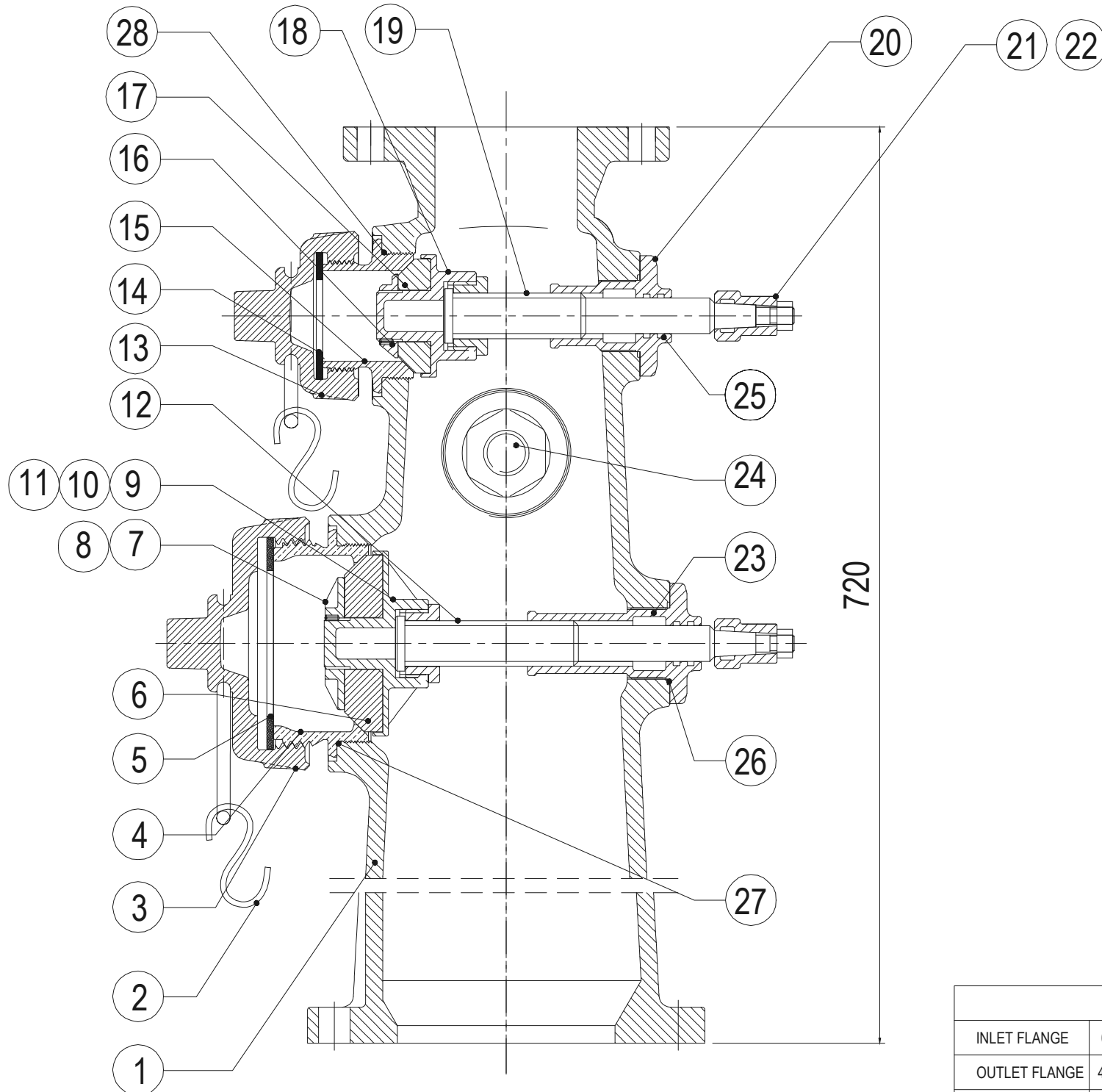


WET TYPE FIRE HYDRANT

(MODEL: 150NF-WHM)



SPECIFICATIONS	
INLET FLANGE	6" INLET FLANGE TO ANSI B16.1 CLASS 125.
OUTLET FLANGE	4" MONITOR OUTLET FLANGE TO ANSI B16.1 CLASS 125.
OUTLET	4 / 4.5" NH PUMPER NOZZLE - 1NO. (THREAD STANDARD TO NFPA1963)
	2.5" HOSE NOZZLES - 2NOS. (THREAD STANDARD TO NFPA1963)
HYDRANT BODY - DUCTILE IRON, ASTM A536 65-45-12.	
MANUFACTURED IN ACCORDANCE TO AWWA C503 STANDARD.	
WORKING PRESSURE OF 250 PSI.	
WORKING TEMPERATURE OF -10°C TO 82°C.	

NOTES :-

- ALL DIMENSIONS ARE IN mm. UNLESS OTHERWISE SPECIFIED

BILL OF MATERIALS		
ITEM. NO	DESCRIPTION	MATERIAL
1	HYDRANT BODY	DUCTILE IRON, ATM A536 65 45-12
2	COVER CHAIN	CARBON STEEL, ASTM A29 ZINC PLATED
3	PUMPER NOZZLE ,CAP	CAST IRON, ASTM A126 GR. B
4	PUMPER NOZZLE	BRONZE, ASTM B62 C83600
5	PUMPER NOZZLE,GASKET	RUBBER, NBR
6	MAIN VALVE-1	RUBBER, NBR
7	PUMPER VALVE, RETAINER	BRONZE, ASTM B62 C83600
8	SCREW	STAINLESS STEEL, ASTM A276 TYP.304
9	MAIN VALVE HOLDER-1	STAINLESS STEEL, ASTM A276 TYP.304
10	HOLDER NUT	BRONZE, ASTM B62 C83600
11	LOCK WASHER	STAINLESS STEEL, ASTM A276 TYP.304
12	STEM-A	STAINLESS STEEL, ASTM A276 TYP.304
13	HOSE NOZZLE CAP	CAST IRON, ASTM A126 Gr. B
14	HOSE NOZZLE GASKET	RUBBER, NBR
15	HOSE NOZZLE	BRONZE, ASTM B62 C83600
16	MAIN VALVE,RETAINER	BRONZE, ASTM B62 C83600
17	MAIN VALVE-2	RUBBER, NBR
18	MAIN VALVE HOLDER-2	STAINLESS STEEL, ASTM A276 TYP.304
19	STEM-C	STAINLESS STEEL, ASTM A276 TYP.304
20	STEM NUT-1	BRONZE, ASTM B62 C83600
21	OPERATING NUT	BRONZE, ASTM B62 C83600
22	BOLT	STAINLESS STEEL, ASTM A276 TYP.304
23	STEM NUT-2	BRONZE, ASTM B62 C83600
24	STEM-B	STAINLESS STEEL, ASTM A276 TYP.304
25	O-RING	RUBBER, NBR
26	O-RING	RUBBER, NBR
27	O-RING	RUBBER, NBR
28	O-RING	RUBBER, NBR