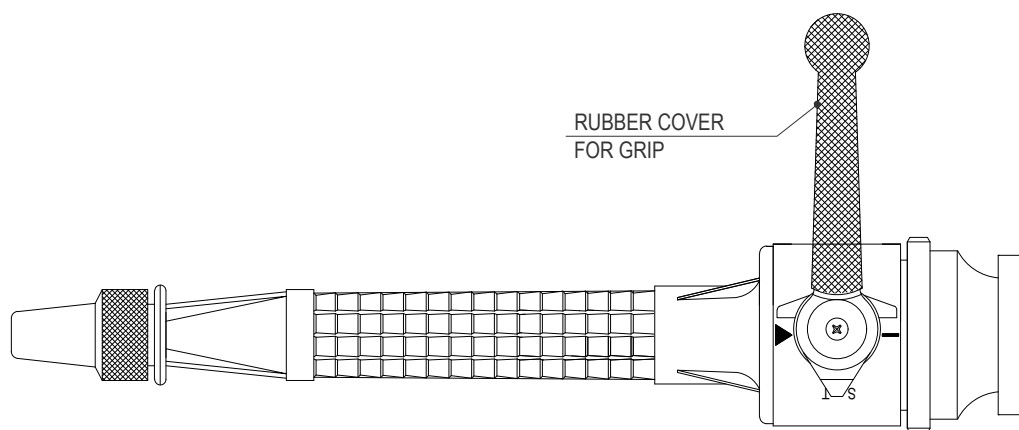
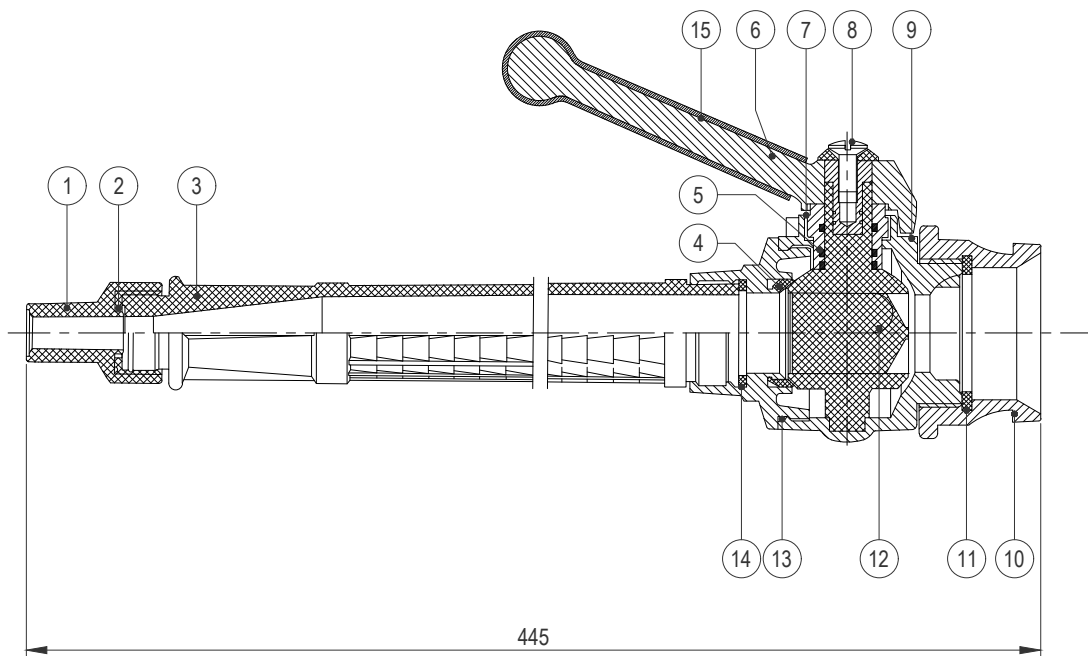


HANDHELD BRANCH PIPE - JET & SPRAY
MODEL: NF-FB320



NOTES :-

1. ALL DIMENSIONS ARE IN mm. UNLESS OTHERWISE SPECIFIED



BILL OF MATERIALS

ITEM NO.	DESCRIPTION	MATERIAL/GRADE
1	TIP	ALUMINIUM, AL Mg LM6
2	GASKET 20X30, 5X3	NBR
3	PIPE	PEE/5526
4	BALL SEAT DN32	POLYURETHANE
5	'O' RING, 17.12X2.62	NBR
6	LEVER C	A356
7	SEAL 28.5X35X1.5	NBR
8	SCREW AM8X20	D964, M.S, Ni.PLATED
9	C - HOUSING	A356
10	MALE INSTANTANEOUS COUPLING (BS 336 : 2010)	6061
11	SEAL	NBR
12	BALL C	Z.4-752
13	'O' RING, 65X3	NBR
14	SEAL	NBR
15	RUBBER COVER FOR GRIP	NBR

SPECIFICATION:-

MODEL	NF-FB 320	
TYPE	HANDHELD CONTROLLABLE	
FLOW CONTROL	SHUT, JET & SPRAY	
TYPE OF SPRAY	FULL CONE	
INLET CONNECTION	MALE INSTANTANEOUS COUPLING TO BS 336	
WORKING PRESSURE	16 BAR	
HYDROSTATIC TEST FOR PRESSURE RETENTION	25.5BAR	
BURST PRESSURE TEST	60 BAR	
FLOW RATE @ 6 BAR	JET	240 LPM
	SPRAY	230 LPM