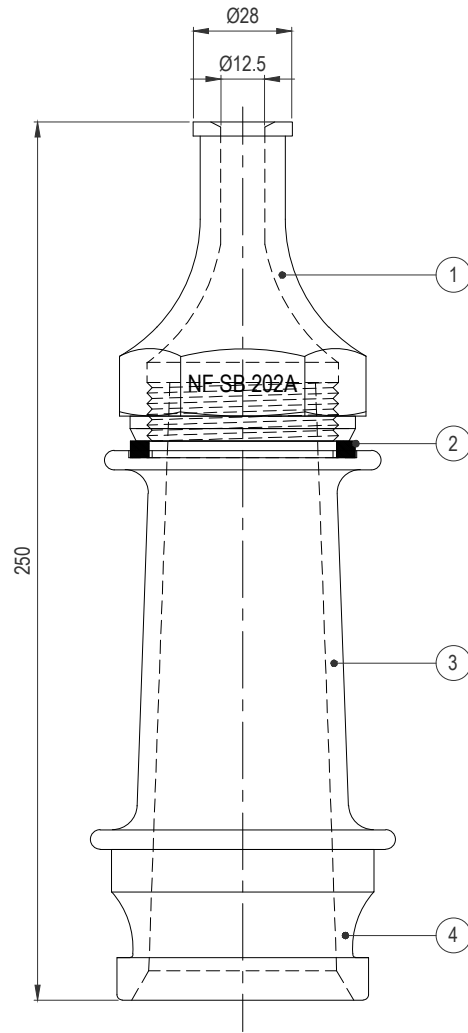


STANDARD BRANCH PIPE
MODEL: NF SB 202A



NOTES :-

1. ALL DIMENSIONS ARE IN mm. UNLESS OTHERWISE SPECIFIED

BILL OF MATERIALS

ITEM NO.	DESCRIPTION	MATERIAL/GRADE
1	NOZZLE	ALUMINIUM LM6-M
2	GASKET	RUBBER, Z70
3	BODY	ALUMINIUM LM6-M
4	MALE INSTANTANEOUS CONNECTION TO BS 336.	ALUMINIUM LM6-M

SPECIFICATION:-

MODEL	NF SB 202A
TYPE	STANDARD BRANCHPIPE
BODY & NOZZLE MATERIAL	ALUMINIUM
INLET CONNECTION	MALE INSTANTANEOUS COUPLING TO BS 336 : 2010
NOZZLE HOLE DIA.	12.5mm
WORKING PRESSURE	16 BAR
TEST PRESSURE	24 BAR
APPROVAL	BSI KITEMARKED