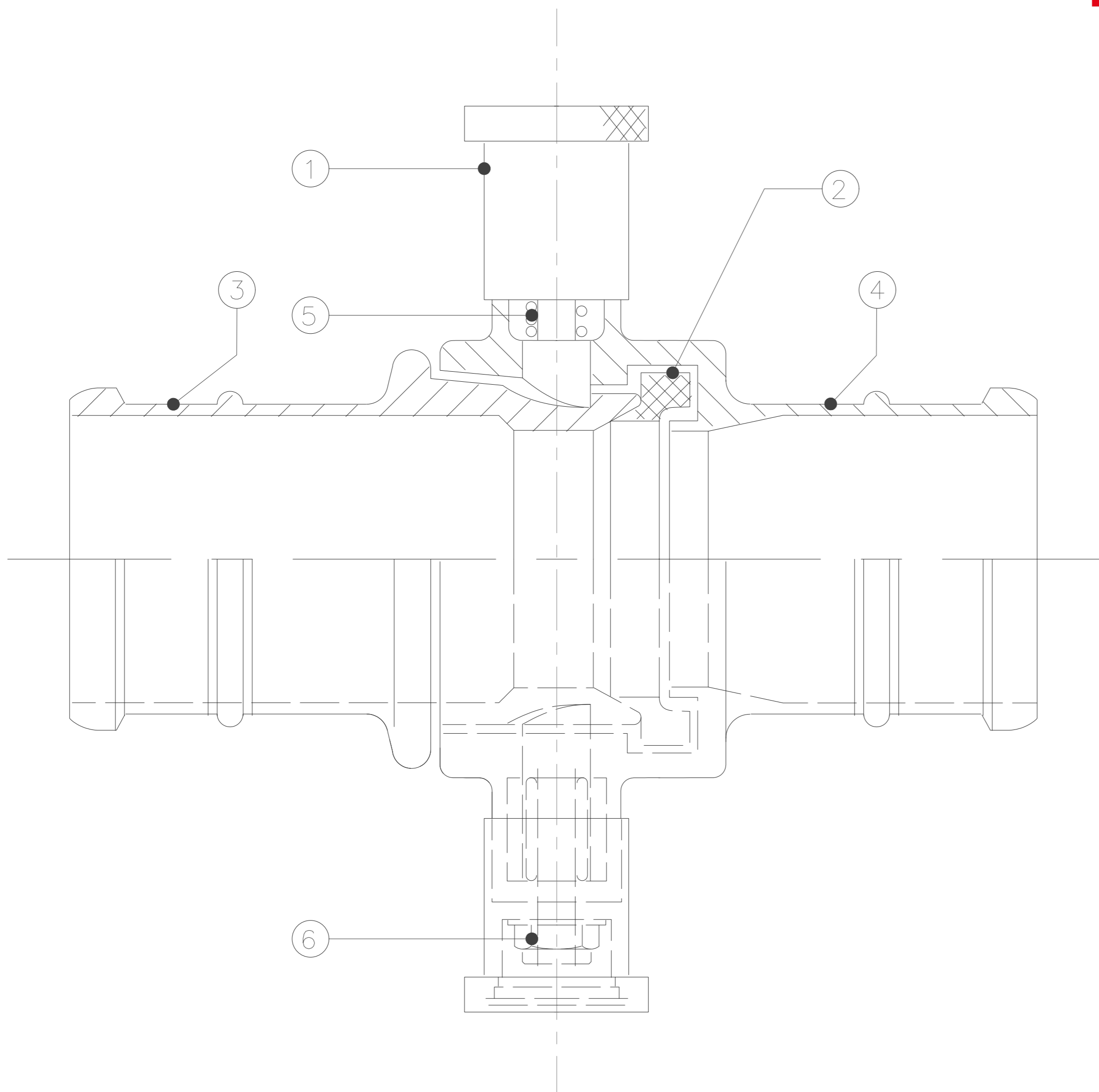


**DELIVERY HOSE COUPLING**  
**NFAC-65RT**  
**2 1/2"(ALUMINUM COUPLING)**



**NOTES :-**

1. ALL DIMENSIONS ARE IN mm. UNLESS OTHERWISE SPECIFIED

**BILL OF MATERIALS**

ITEM NO.	DESCRIPTION	MATERIAL	QTY.
1.	PULL RELEASE	ALUMINUM	1
2.	WASHER	NATURAL RUBBER,Z40	1
3.	MALE COUPLING	ALUMINUM	1
4.	FEMALE COUPLING	ALUMINUM	1
5.	SPRING	STAINLESS STEEL	1
6.	SELF LOCKING NUT	STAINLESS STEEL	1

**SPECIFICATIONS**

MODEL	NFAC-65RT
TYPE	MALE/FEMALE INSTANTANEOUS COUPLING WITH PULL RELEASE
TAIL ENDS	RIBBED TAIL
TEST PRESSURE	22.5 BAR PER MINUTE