

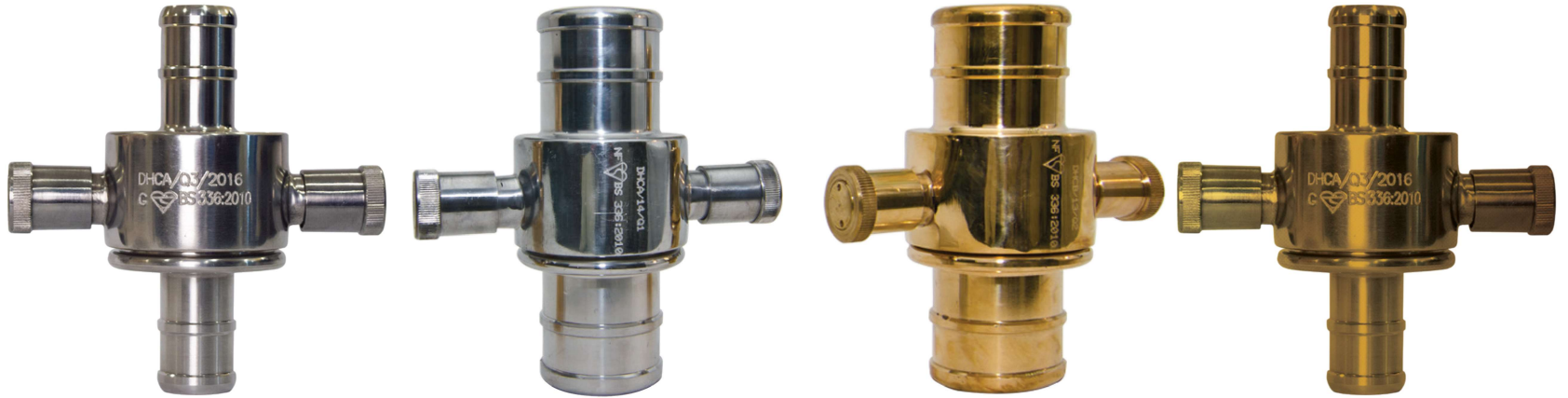
# DELIVERY HOSE COUPLING



CERTIFICATE NO:463  
(Ref redbooklive.com)

## PRODUCT DESCRIPTION

NAFFCO couplings are suitable for use with delivery hose and for firefighting purposes. The delivery hose couplings are of instantaneous pattern, pull release type with ribbed tail and are manufactured to comply to BS 336: 2010 standards. The couplings are suitable for use at working pressure not exceeding 15 bar.



**NFAC - 38 RT\***

1 1/2" (Aluminum Coupling)

**NFAC - 65 RT**

2 1/2" (Aluminum Coupling)

**NFCC - 65 RT**

2 1/2" (Copper Alloy Coupling)

**NFCC - 38 RT\***

1 1/2" (Copper Alloy Coupling)

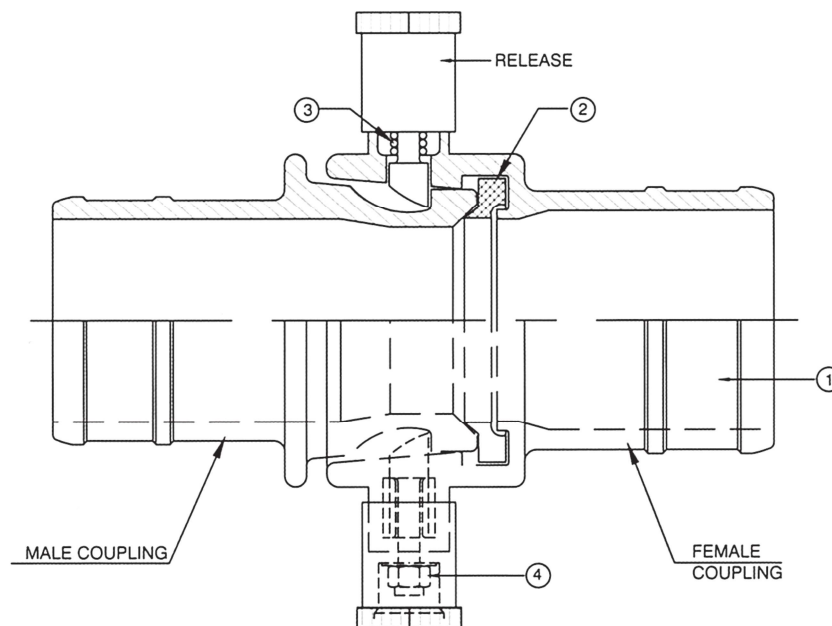
## FEATURES

- BSI Kitemark and LPCB certified.
- Castings are clean, sound and free from gross porosity.
- Machined surface is within tolerance and is in accordance with BS 1134-2.
- Coupling washers are made of natural rubber to BS1154.
- Plungers are of self-locking type.

\*Kitemark Approval Only

## SPECIFICATIONS

Coupling Type	Instantaneous Male/Female coupling with pull release
Tailed Ends	Ribbed tail type
Test Pressure	22.5 bar for 1 minute



## SPECIFICATIONS

Sl. No.	Description	Material
1	Body Male/Female Coupling	a. Aluminum to BS EN 1706: 1998 b. Copper Alloy to BS EN 12163: 2011
2	Washer	Rubber
3	Spring	Spring Steel
4	Self Locking Nut	Aluminum