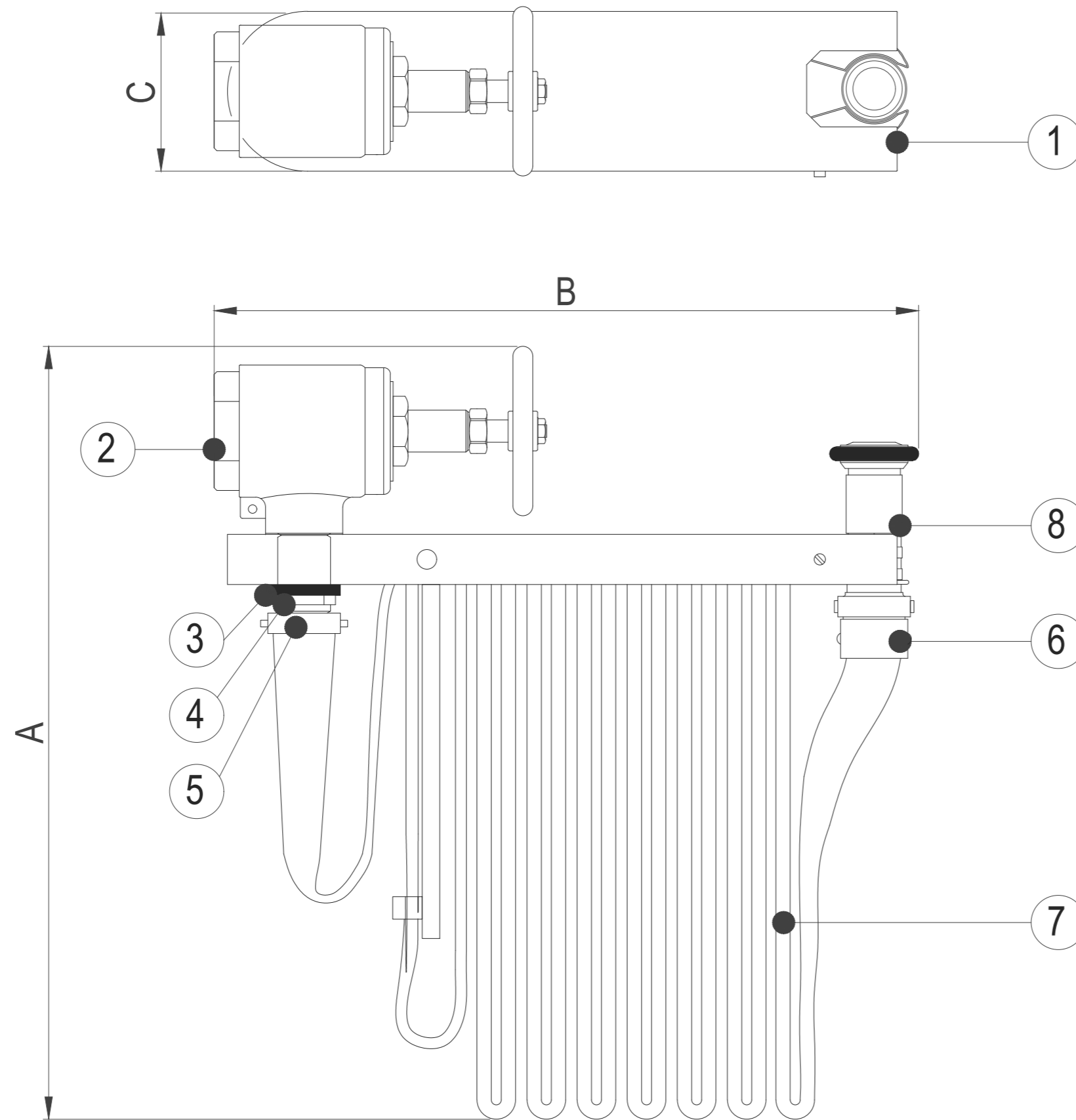


HOSE RACK ASSEMBLY  
NHR 64V



DIMENSIONS					
MODEL	HOSE LENGTH	HOSE DIA	A	B	C
NHR 64V	30Mtr(100ft)	2 1/2"	650	610	143

NOTES :-

- ALL DIMENSIONS ARE IN mm. UNLESS OTHERWISE SPECIFIED

BILL OF MATERIALS

ITEM NO.	DESCRIPTION	MATERIAL	QTY.
1	HOSE RACK FRAME, RED POLYESTER POWDER	STAINLESS STEEL, Gr.304 / MILD STEEL	1
2	2-1/2" ANGLE HOSE VALVE FEMALE NPT INLET & OUTLET	ROUGH BRASS	1
	OPTIONAL: 2-1/2" PRESSURE REDUCING ANGLE VALVE WITH FEMALE NPT INLET & OUTLET	BRONZE	1
3	SPACER	BRASS	1
4	HOSE RACK NIPPLE MODEL : HRN 2-1/2"	BRASS	1
5	PIN LUG COUPLING (SINGLE) 2-1/2" FEMALE THREADED	BRASS	1
6	PIN LUG COUPLING (SINGLE) 2-1/2" MALE THREADED	BRASS	1
7	2-1/2" X 30 MTR. POLYFLEX FIRE HOSE	100% SYNTHETIC JACKET AND EXTRUDED 100% SYNTHETIC LINING, 500 PSI.	1
8	2-1/2" FOG NOZZLE	BRASS	1

SPECIFICATIONS

MODEL	NHR 64V
FIRE HOSE TYPE	SINGLE JACKET, LIGHT WEIGHT THERMOPLASTIC LINING WITH HIGH TENACITY FILAMENT POLYESTER YARN.(UL LISTED)
SIZE & COLOR	2 1/2" x 30m, WHITE
SERVICE PRESSURE	250PSI
PROOF PRESSURE	500PSI
BURST PRESSURE	750PSI
GENERAL TOLERANCE	±5MM
COUPLING TYPE	2 1/2" NH FEMALE THREADED COUPLING
ANGLE VALVE WORKING PRESSURE	300 PSI
ANGLE VALVE TEST PRESSURE	600MM
INLET SIZE	2 1/2" FEMALE NST THREADED
NOZZLE DISCHARGE RATE	280GPM @ 100PSI