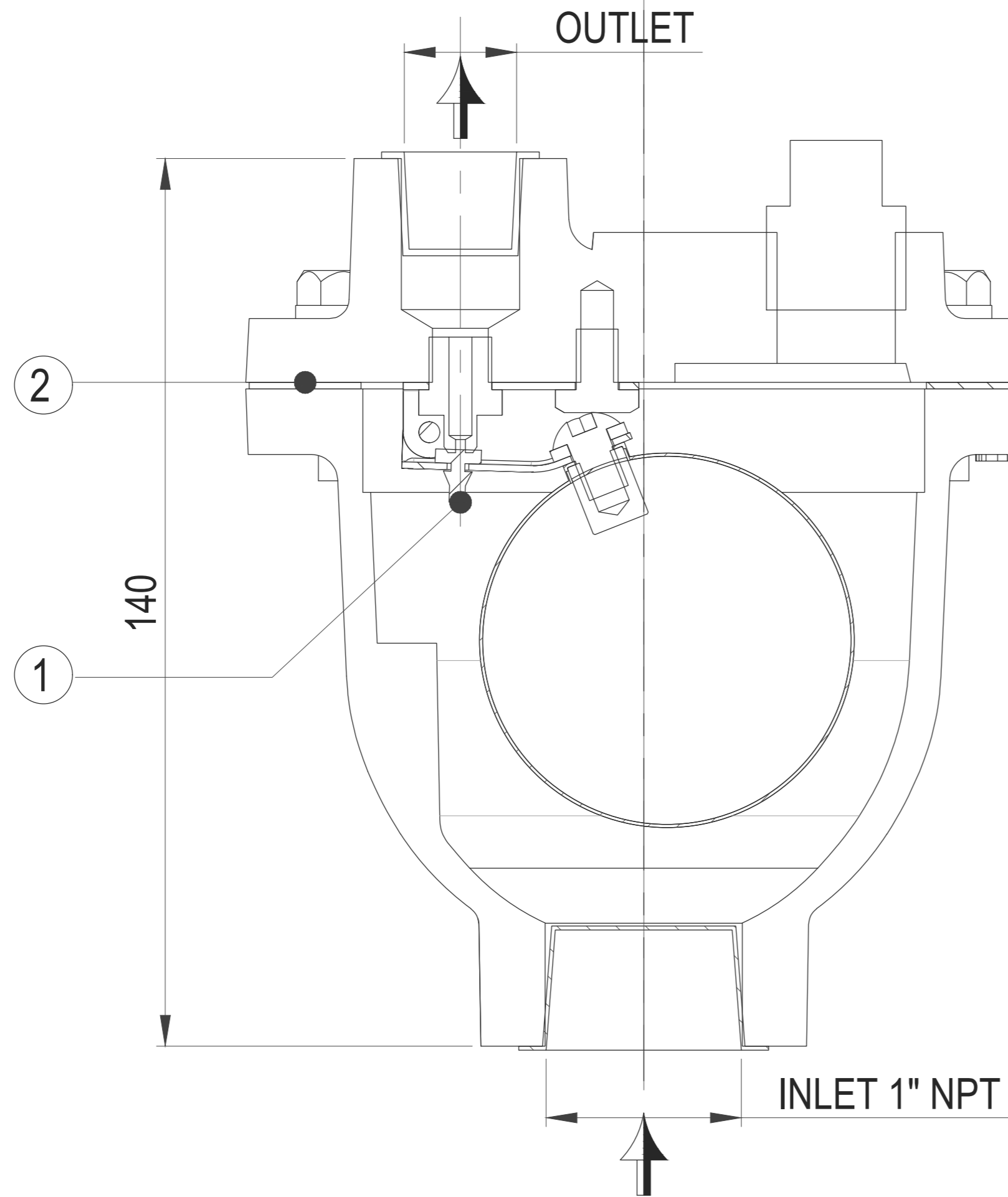


# AIR RELEASE VALVE



DIMENSIONS					
MODEL	VALVE SIZE	ORIFICE SIZE	INLET SIZE NPT	OUTLET SIZE NPT	MAX W.P
NF-15 ARV	1/2"	1/16"	1/2"	1/2"	175PSI
NF-20 ARV	3/4"	1/16"	3/4"	1/2"	175PSI
NF-25 ARV	1"	1/16"	1"	1/2"	175PSI

**NOTES :-**

- ALL DIMENSIONS ARE IN mm. UNLESS OTHERWISE SPECIFIED

**BILL OF MATERIALS**

ITEM. NO	DESCRIPTION	MATERIAL
1	ORIFICE BUTTON	EPDM
2	GASKET	NON-ASBESTOS

**SPECIFICATIONS**

BODY AND COVER	DUCTILE IRON ASTM A536 64-45-12
FLOAT	STAINLESS STEEL 316,ASTM 4240
INTERNAL PARTS	STAINLESS STEEL 316,ASTM 4240
PAINT	RED EPOXY PAINTED
OPERATIONAL HIGHLIGHTS	<ul style="list-style-type: none"> <li>MAINTAINS SYSTEM FLOW EFFICIENCY</li> <li>RELEASE UNWANTED AIR POCKETS DURING SYSTEM OPERATION</li> <li>PROTECTS SYSTEM AGAINST AIR RELATED SURGES</li> </ul>