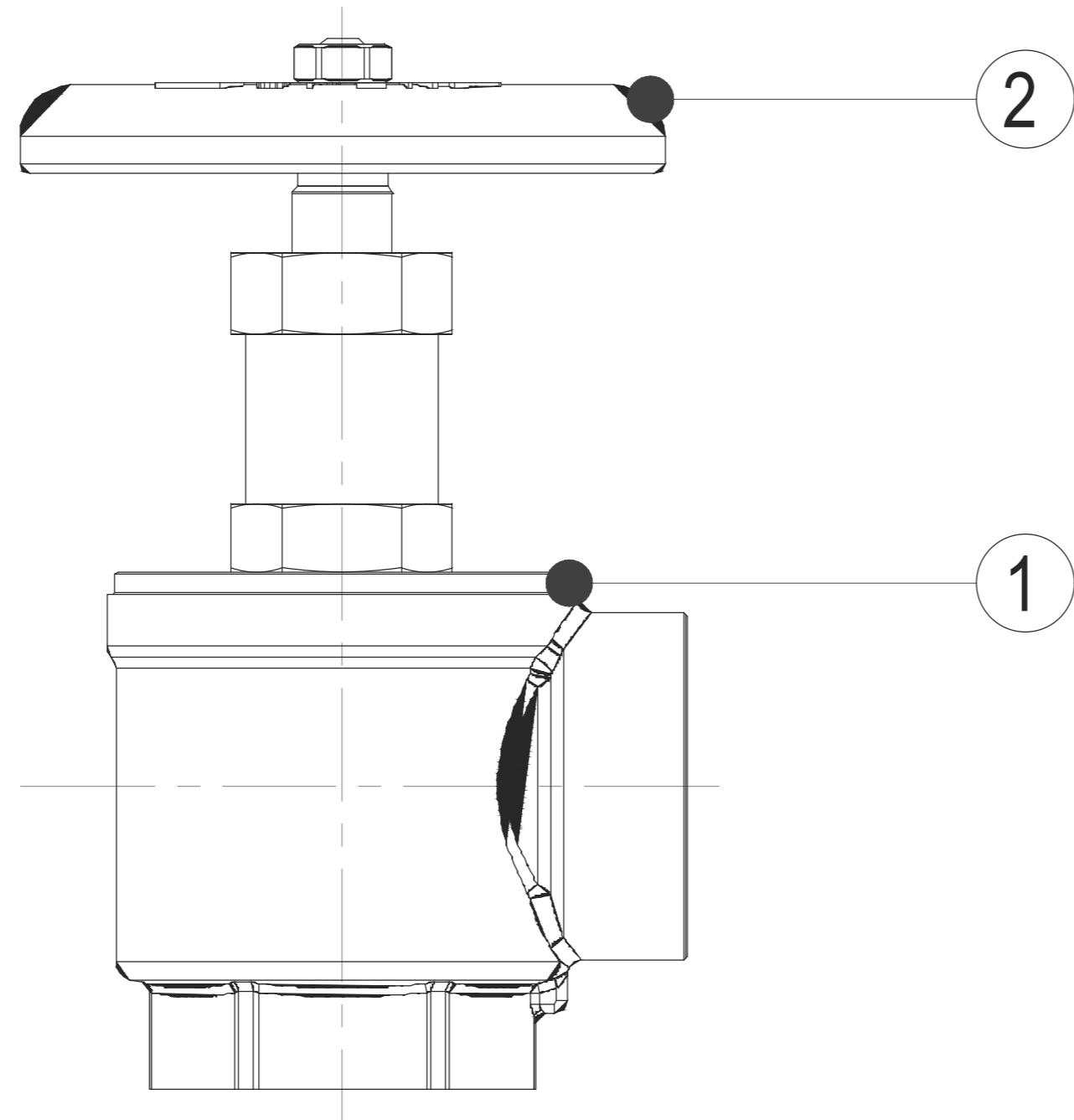


ANGLE HOSE VALVE



NOTES :-

1. ALL DIMENSIONS ARE IN mm. UNLESS OTHERWISE SPECIFIED

BILL OF MATERIALS

ITEM. NO	DESCRIPTION	MATERIAL
1	BODY	CAST BRASS
2	HAND WHEEL	CAST IRON

SPECIFICATIONS

MODEL	NF-AV38 1 1/2"Ø,FEMALE NPT INLET&OUTLET
	NF-AV65 2 1/2"Ø,FEMALE NPT INLET&OUTLET
DRAIN	1 1/2" & 2 1/2"
PRESSURE	300 PSI
FINISH STANDARD	ROUGH BRASS/POLISHED BRASS
OPTIONAL	BRIGHT CHROME PLATED