

OBLIQUE VALVE, FLANGED INLET

PRODUCT DESCRIPTION

NAFFCO landing valves are suitable for installation on wet risers in a building for fire fighting purposes with permanently charged water from a pressurised supply.

The landing valves are oblique type with flanged inlet and are manufactured to comply to BS 5041 Part 1 standard with delivery hose connection and blank cap complying with BS 336: 2010 standard.

The landing valves are classified under low pressure and are suitable for use at nominal inlet pressure up to 15 bar.

FEATURES

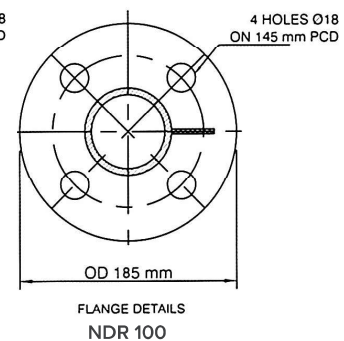
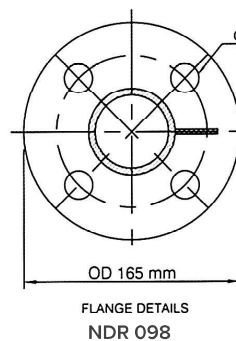
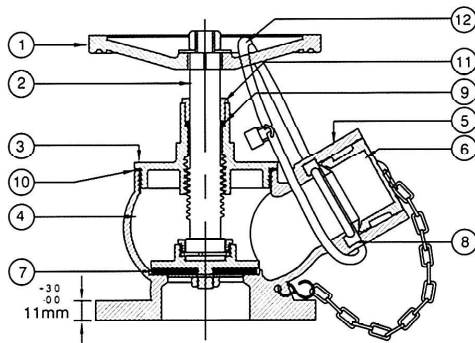
- BSI Kitemark and LPCB certified.
- Body material made of copper alloy to EN 1982
- Hand wheel material made of grey cast iron to BS EN 1561.
- Blank cap material made of copper alloy to EN 1982.
- Possible to replace the gland seal when under pressure with the valve fully closed.
- Disc facing rubber is of replaceable type.
- Valves are provided with a strap and pad lock so that the hand wheel can be secured to counter unauthorized use.
- The hand wheel is BLACK painted and body to RED.



SPECIFICATIONS

Model Number	NDR 098	NDR 100*
Valve Type	Oblique, Flanged Inlet	
Pressure Rating	Low Pressure Valve	
Inlet Flange Size	DN50	DN65
Working Pressure	15 bar Maximum	
Test Pressure	Valve Seat Test at 16.5 bar • Body Test at 22.5 bar	
Flange Drilling	BS 4504 Part 2:1974 Table:16/21	
Water Flow Rate	8.5 L/S @ 4 bar Outlet Pressure	

*Kitemark approved only



BILL OF MATERIAL

Sl.No.	Description	Material
1	Handwheel	Grey Cast Iron to BS EN 1561
2	Stem	Copper Alloy to BS EN 12164
3	Bonnet	Copper Alloy to EN 1982
4	Body	Copper Alloy to EN 1982
5	Female Inst. Outlet	Copper Alloy to EN 1982
6	Blank Cap	Copper Alloy to EN 1982
7	Renewable Disk Facing	Rubber to BS 1154
8	Washer	Rubber to BS 1154
9	Gland Seal	Rubber to BS 1154
10	Bonnet Seal	Teflon
11	Gland	Copper Alloy to EN 1982
12	Strap with Pad Lock	Strap-Leather (12 mm Wide, 2 mm Thick) LOCK-Non-Ferrous