

OBLIQUE VALVE, MALE THREADED INLET



PRODUCT DESCRIPTION

NAFFCO landing valves are suitable for installation on wet risers in a building for fire fighting purposes, permanently charged with water from a pressurized supply.

The landing valves are oblique type with threaded inlet and are manufactured to comply to BS 5041 Part 1 standard with delivery hose connection and blank cap complying with BS 336:2010 standard.

The landing valves are classified under low pressure and are suitable for use at nominal inlet pressure up to 15 bar.

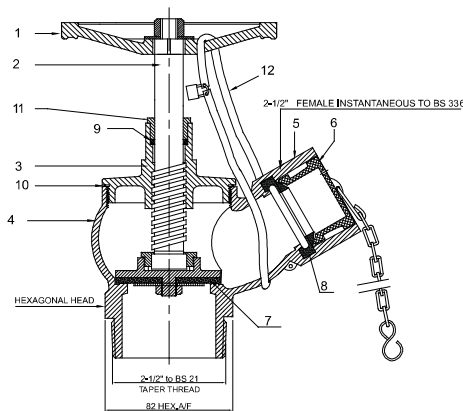


FEATURES

- BSI Kitemark approved.
- Body material made of copper alloy to EN 1982
- Hand wheel material made of grey cast iron to BS EN 1561.
- Blank cap material made of copper alloy to EN 1982.
- Possible to replace the gland seal when under pressure with the valve fully closed.
- Disc facing rubber are of replaceable type.
- Valves are provided with a strap and pad lock so that the hand wheel can be secured to counter unauthorized use.
- The hand wheel is BLACK painted and body to RED.

SPECIFICATIONS

Model Number	NDR 097
Valve Type	Oblique, Threaded Inlet
Pressure Rating	Low Pressure Valve
Nominal Size	DN 2½"
Working Pressure	15 bar Maximum
Test Pressure	Valve Seat Test at 16.5 bar • Body Test at 22.5 bar
Water Flow Rate	8.5 L/S @ 4 bar Outlet Pressure



BILL OF MATERIAL

Sl.No.	Description	Material
1	Handwheel	Grey Cast Iron to BS EN 1561
2	Stem	Copper Alloy to BS EN 12164
3	Bonnet	Copper Alloy to EN 1982
4	Body	Copper Alloy to EN 1982
5	Female Inst. Outlet	Copper Alloy to EN 1982
6	Blank Cap	Copper Alloy to EN 1982
7	Renewable Disk Facing	Rubber to BS 1154
8	Washer	Rubber to BS 1154
9	Gland Seal	Rubber to BS 1154
10	Bonnet Seal	Teflon
11	Gland	Copper Alloy to EN 1982
12	Strap with Pad Lock	Strap-Leather (12 mm Wide, 2 mm thick) LOCK-Non-Ferrous