

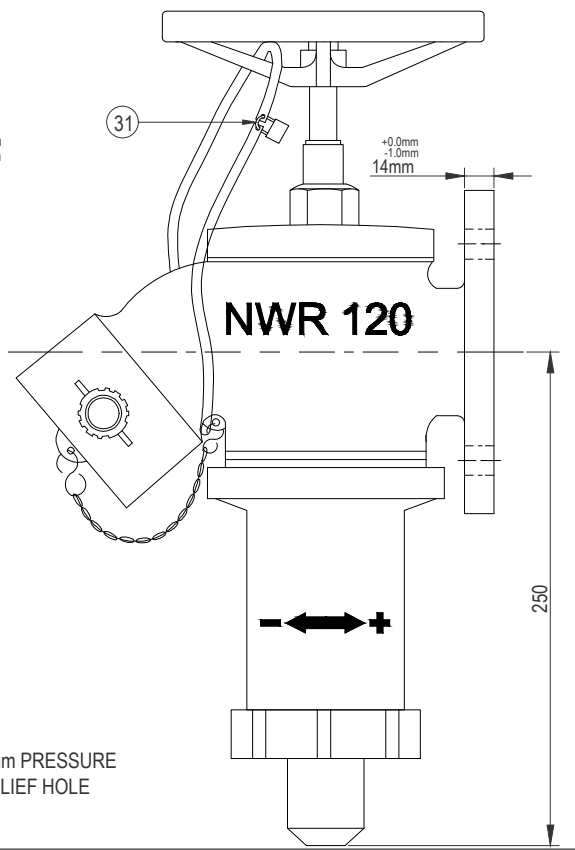
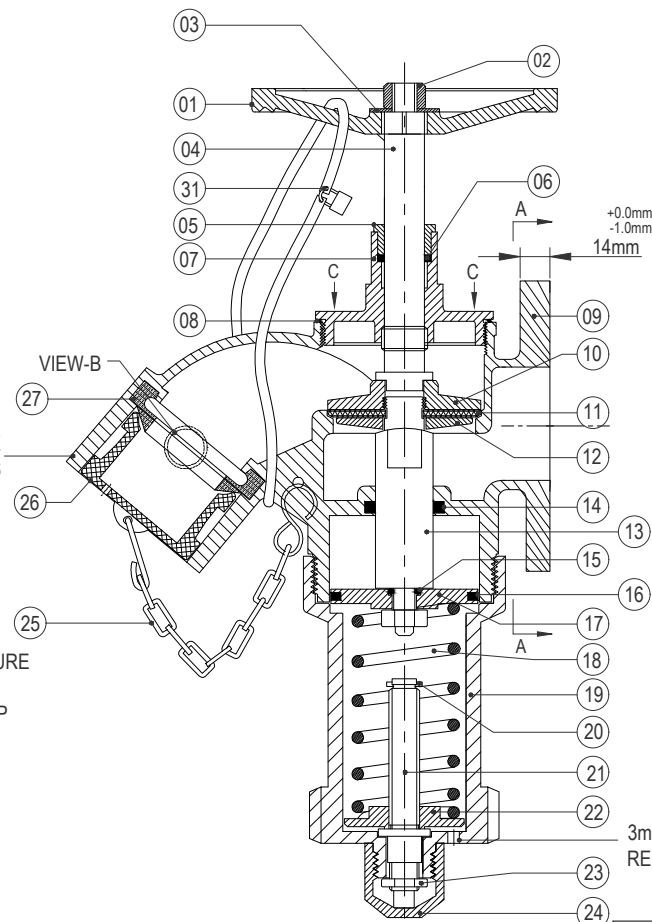
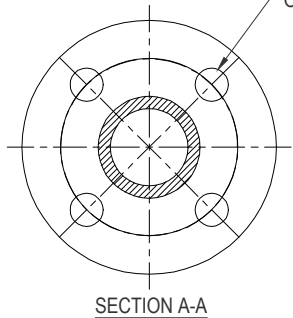
**OBLIQUE PRESSURE REDUCING VALVE,
FLANGED INLET, MODEL: NWR 120**



NOTES :-

1. ALL DIMENSIONS ARE IN mm. UNLESS OTHERWISE SPECIFIED
2. MAX. WORKING PRESSURE: 20 BAR
3. TEST PRESSURE
 - a. VALVE SEAT TEST AT 22 BAR FOR 2 MIN.
 - b. BODY TEST AT 30 BAR FOR 2 MIN.
4. LANDING VALVE CONFORMING TO BS 5041: PART 1
5. MIN. WATER FLOW RATE AND OUTLET PRESSURE :8.5 L/S @ 4.0 BAR

4 HOLES Ø18
ON 125 mm PCD, OD 165

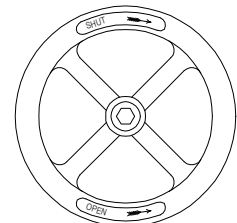
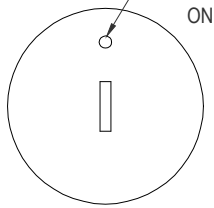


SECTION A-A

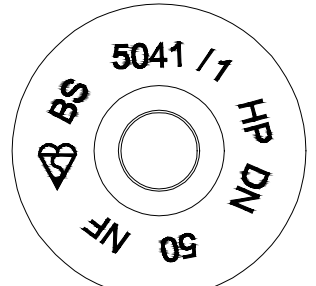
VIEW-B

FEMALE INSTANTANEOUS BS 336

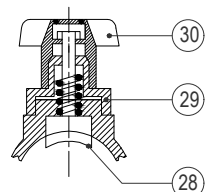
4 mm PRESSURE RELIEF HOLE ON BLIND CAP



HAND WHEEL MARKING



VIEW-C
(BODY MARKING)



REAR VIEW-B

SPECIFICATION:-	
MODEL	NWR 120
VALVE TYPE	OBLIQUE, PRESSURE REDUCING FLANGED INLET
PRESSURE RATING	HIGH PRESSURE VALVE
INLET FLANGE SIZE	DN 50
WORKING PRESSURE	20 BAR MAXIMUM
TEST PRESSURE	VALVE SEAT TEST AT 22 BAR, BODY TEST AT 30 BAR
FLANGED DRILLING	BS4504 PART 2:1974 TABLE :16/21,
MIN. WATER FLOW RATE	8.5 L/S @ 4.5 BAR OUTLET PRESSURE
MIN. VALVE PRESSURE REGULATING	4-7 BAR

BILL OF MATERIALS

ITEM NO.	DESCRIPTION	MATERIAL/GRADE
1	HAND WHEEL	GRAY CAST IRON 180
2	HAND WHEEL NUT	STAINLESS STEEL 304
3	WASHER (OD24X13X1.5THICK)	STAINLESS STEEL 304
4	STEM	COPPER ALLOY CW721R
5	GLAND	COPPER ALLOY CZ121
6	GLAND RUBBER SEAL	RUBBER, CHLOROPENE Z70
7	BONNET	COPPER ALLOY CZ122
8	BONNET TEFLON SEAL	-
9	BODY	COPPER ALLOY CC491K
10	UPPER RENEWABLE DISC	COPPER ALLOY CZ122
11	RENEWABLE DISC FACING	RUBBER, CHLOROPENE Z70
12	WASHER	COPPER ALLOY CZ122
13	UPPER STEM	COPPER ALLOY CZ121
14	'O' RING	RUBBER, CHLOROPENE Z70
15	'O' RING	RUBBER CHLOROPENE Z70
16	RENEWABLE BOTTOM DISC FACING	RUBBER, CHLOROPENE Z70
17	RENEWABLE BOTTOM DISC	COPPER ALLOY CZ122
18	SPRING	SPRING STEEL
19	DISTANCE PIECE	COPPER ALLOY CC491K
20	PIN	STEEL
21	LOWER STEM	COPPER ALLOY CW721R
22	ADJUSTING SCREW PLATE	COPPER ALLOY CW721R
23	NUT	COPPER ALLOY CZ121
24	ADJUSTING SCREW	COPPER ALLOY CZ122
25	'S' HOOK & CHAIN	'S' - HOOK : BRASS CHAIN : STAINLESS STEEL
26	BLANK CAP	COPPER ALLOY CC491K
27	WASHER	RUBBER, CHLOROPENE Z70
28	CAM TOOTH	COPPER ALLOY CZ122
29	LOWER PART OF LUG	COPPER ALLOY CZ122
30	UPPER PART OF LUG	COPPER ALLOY CZ122
31	STRAP WITH PAD LOCK	STRAP-LATHER(12mm WIDE, 2mm THICK)PAD LOCK NON-FERROUS