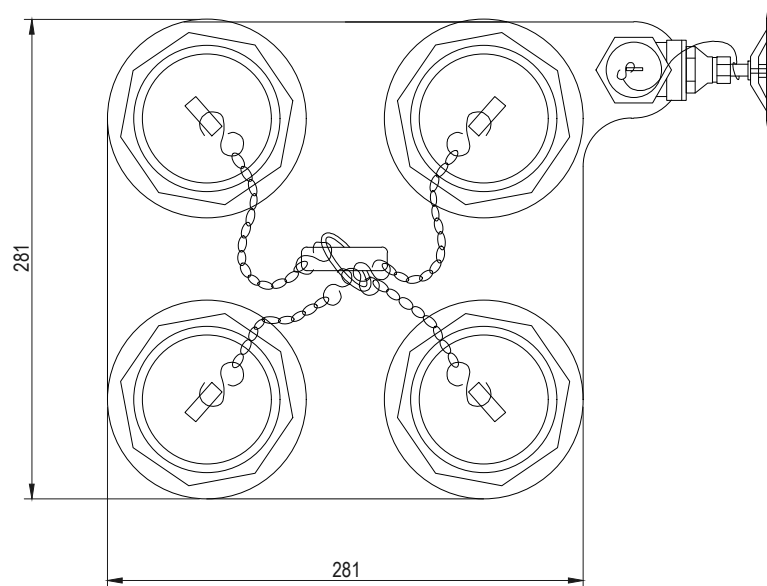
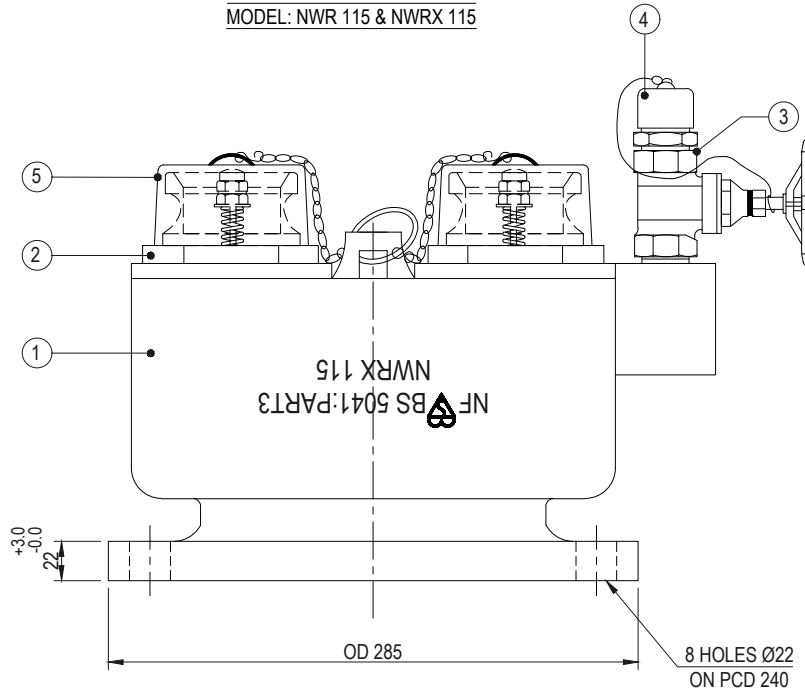


6" X 4 WAY BREECHING INLET
MODEL: NWR 115 & NWRX 115



NOTES :-

1. ALL DIMENSIONS ARE IN mm. UNLESS OTHERWISE SPECIFIED
2. NORMAL WORKING PRESSURE : 10 BAR

BILL OF MATERIALS

ITEM NO.	DESCRIPTION	MATERIAL/GRADE
1	BODY	SPHEROIDAL, GRAPHITE CAST IRON
2	INLET CONNECTION & NON-RETURN VALVES	COPPER ALLOY
3	DRAIN VALVE	COPPER ALLOY
4	BLANK CAP & CHAIN FOR DRAIN VALVE	CAP : COPPER ALLOY CHAIN : MILD STEEL
5	BLANK CAP & CHAIN FOR VALVE INLET	CAP : PLASTIC CHAIN : MILD STEEL

SPECIFICATION:-

MODEL	NWR 115 & NWRX 115
STANDARD CONFORMANCE	BS 5041 : PART-3 : 1975
INLET CONNECTION	4 NOS. MALE INSTANTANEOUS CONNECTOR COMPLYING TO BS336
PRESSURE RATING	NORMAL WORKING PRESSURE OF 10 BAR
NOMINAL SIZE	150mm FLANGED OUTLET
TEST PRESSURE	20 BAR
FLANGE DRILLING	BS 4504 PART 2:1974 TABLE:16/21
TEMPERATURE RANGE	0°-38°C