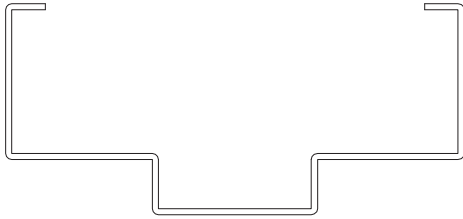
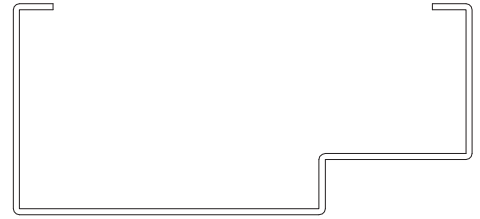


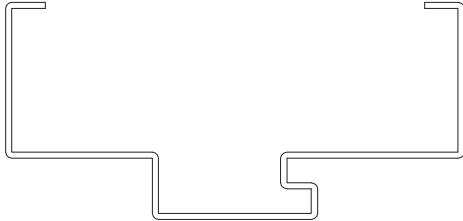
FRAME PROFILE



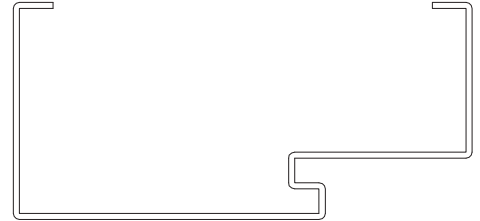
DRF



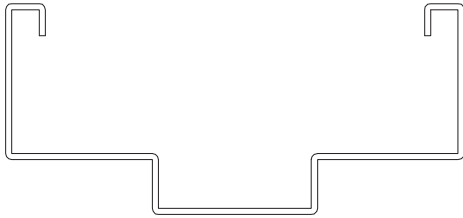
SRF



DKF



SKF



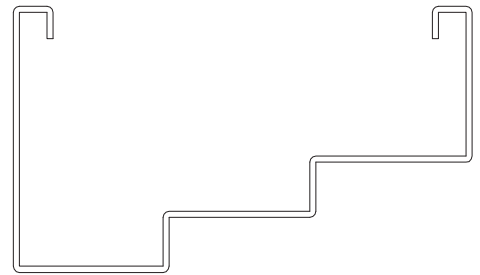
DWF



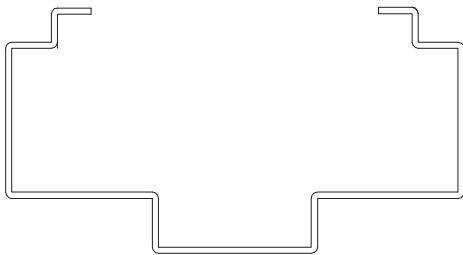
SWF



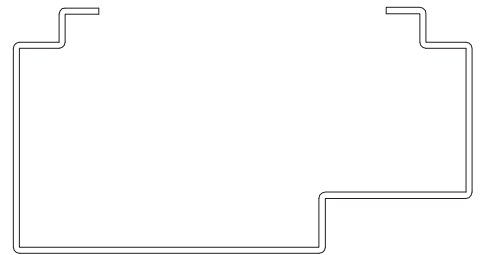
DEF



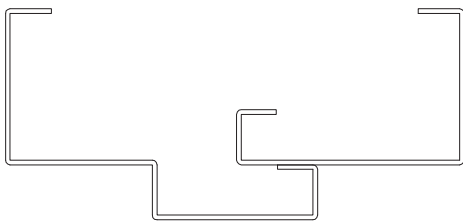
DEWF



DGF



SGF



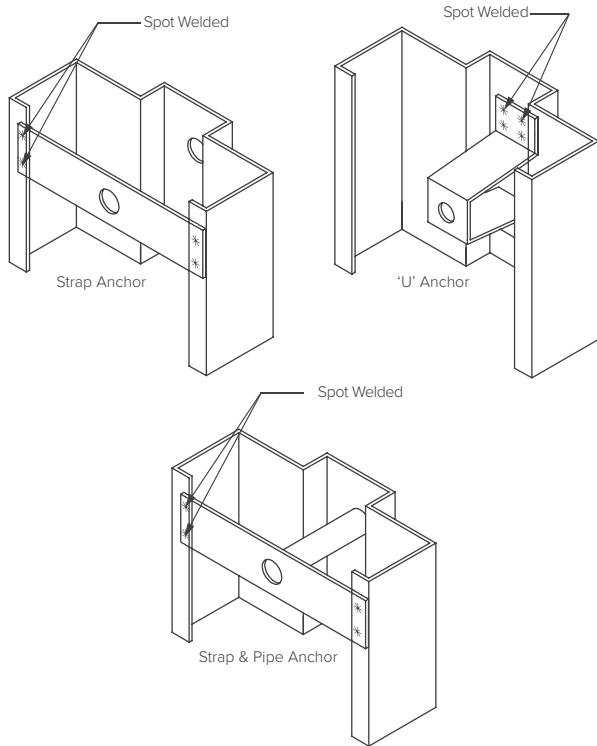
DSF



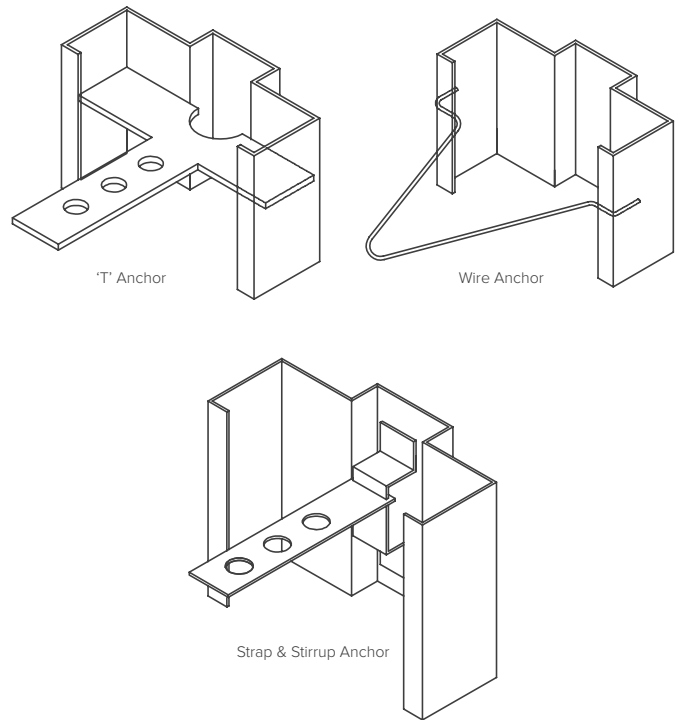
CDF

ANCHOR TYPES

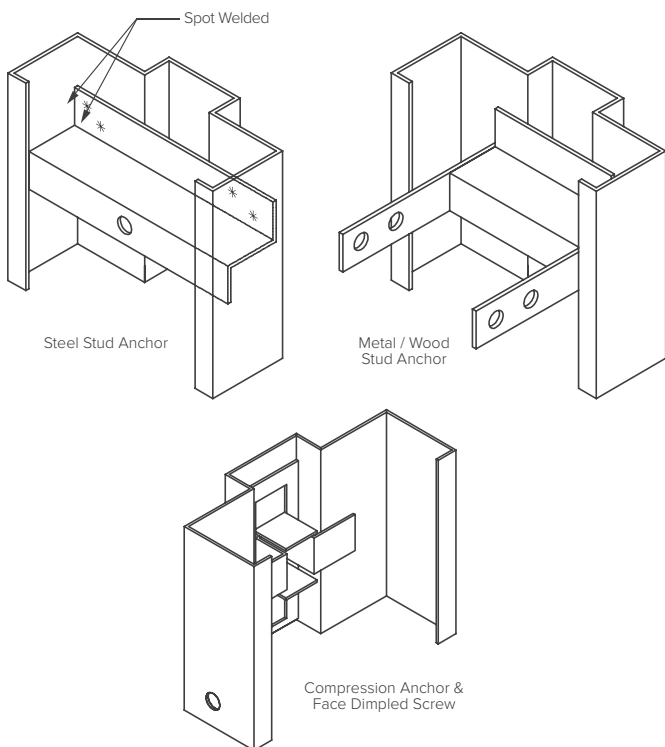
Existing Mansory Wall Anchor



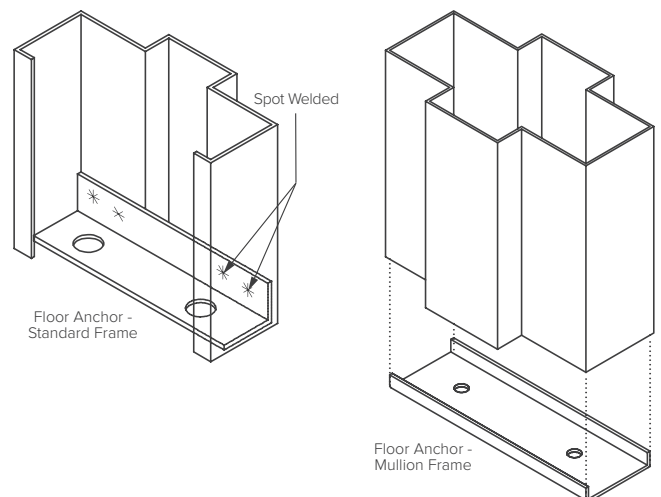
Mansory Wall Anchor



Gypsum Wall Anchor

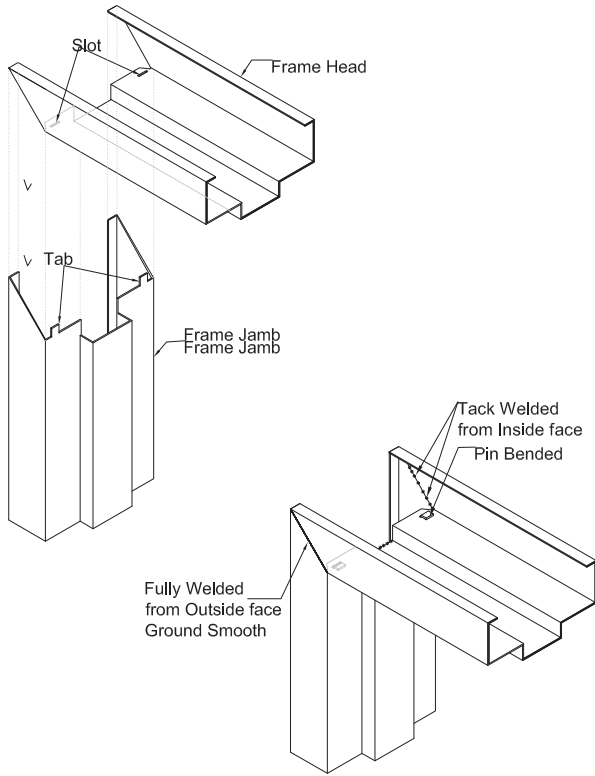


Floor Anchor

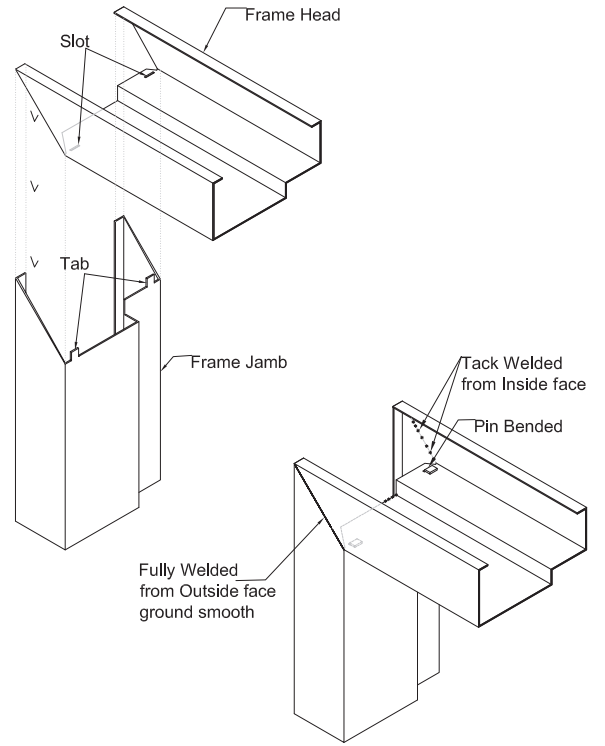


FRAME TECHNICALITIES

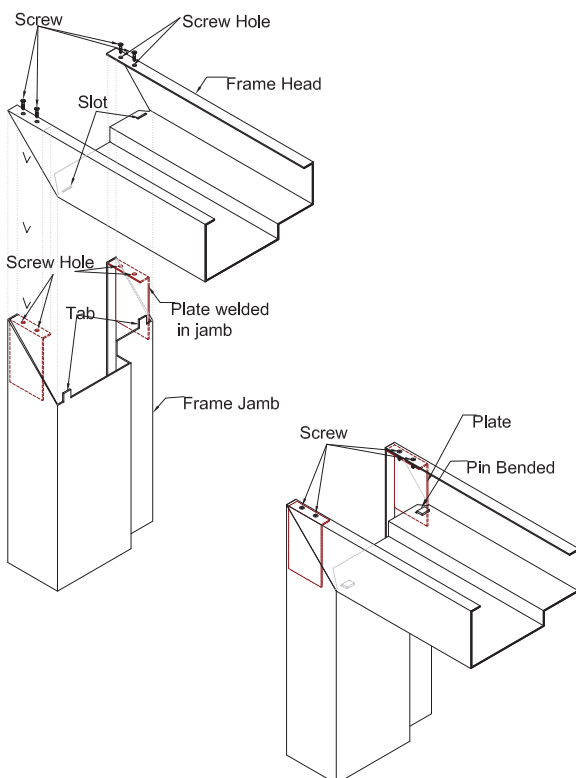
Double Rabbet Frame (Welded Factory Assembled)



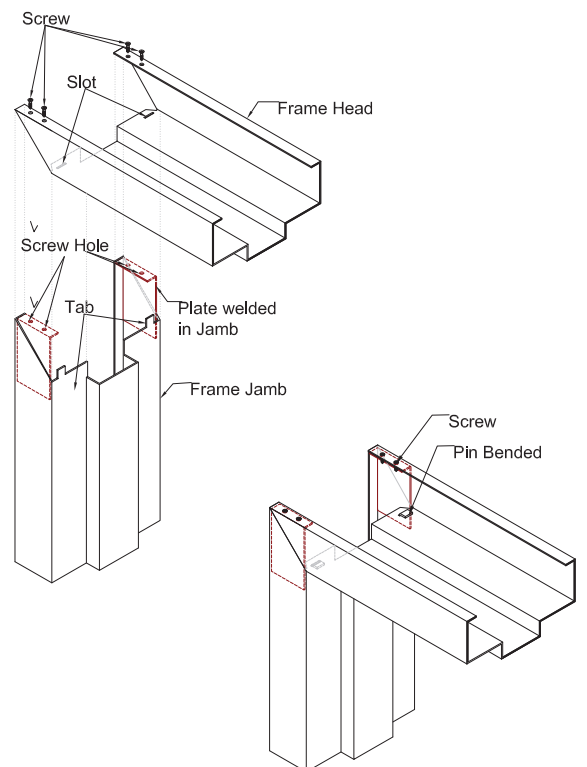
Single Rabbet Frame (Welded Factory Assembled)



Single Rabbet Frame (Knockdown Field Assembled)



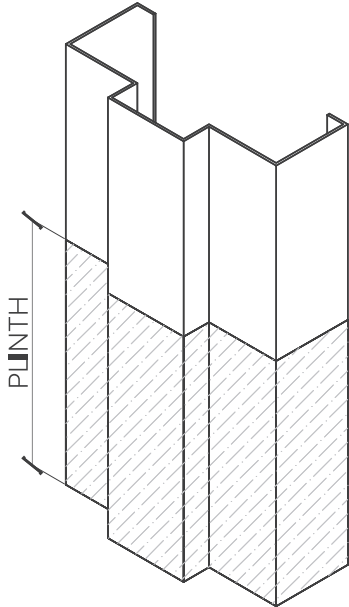
Double Rabbet Frame (Knockdown Field Assembled)



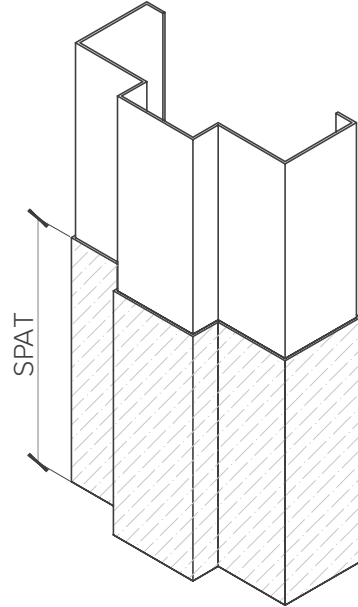
FRAME TECHNICALITIES

SPATS

Maybe used with either cutoff or full length stops

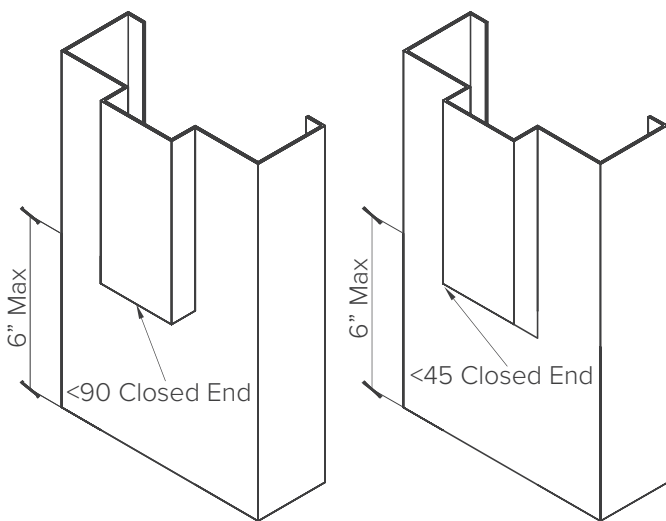


Stainless steel same thickness as frame and flush with all jamb surface



Stainless Steel Wrap-around covering

Cut off (Sanitary) Stops



Lead-Lined Frame

