

# Automatic Fire Curtain

Single & Multi Barrel



# Fire Curtain

## Single & Multi Barrel



Fire containment systems prevent the spreading of smoke from one zone to another. NAFFCO curtain comprises of flexible heat resistant fabric with fire integrity up to 240mins.\*. The tube contains a DC electric motor which holds the curtain retracted at ceiling level at all times and deploys upon the receipt of fire alarm signal. The bottom bar ensures safe and controlled descent of the curtain with gravity fail safe.

### System tested to

- EN 1634-1
- UL10D
- UL10D S
- UL1784
- BS476 part 6 & 7\*\*



Max. Height	Max. Width	E	EI	EW
12 meters	Unlimited	240	-	30

### Product Complies

- Certifire
- UL

\*NF-WRGF0667/120

\*\*Fabric tested.

### Fire Integrity

- Up to 240 min.



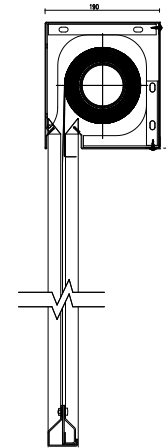
### Specifications

Fabric	PU-coated glass fabric, 690 g/m <sup>2</sup> , color grey, Non - Flammable according to DIN 4102-1, A2.
Unwind	Controlled Gravity Descend
Windup	24 VDC motor integrated with planetary gear
Installation	Ceiling or wall mounted
System dimensions	System width ≤ 25000 mm Unwinding length ≤ 12000 mm
Head box	GI Sheet 1.2 mm powder-coated
End section	GI Sheet 2.5 mm powder-coated
Classification/Standard	UL 10D
Side guides (SFS)	Steel 2.5 mm powder-coated, dimensions (W x D) 50 x 100 mm. The curtain material will be delivered with a restrain system. In this way, it prevents the curtain material being pulled out sideways from the tracks in case of deflection by pressurization (e.g. excess pressure by fire.)

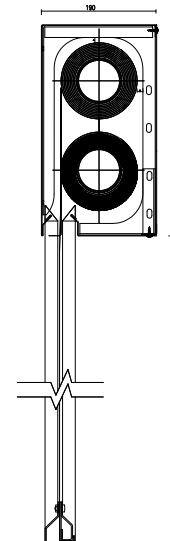
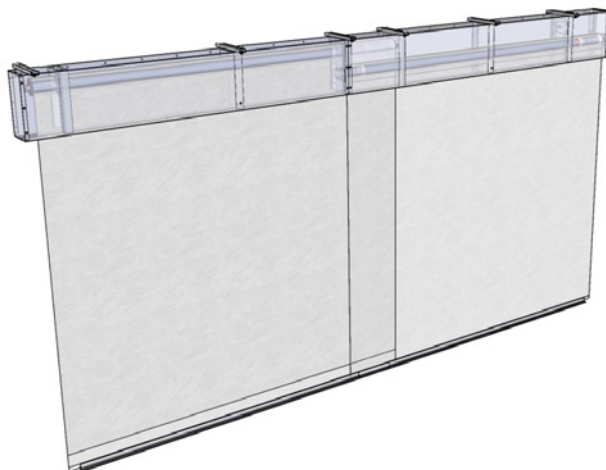
# Fire Curtain

## Single & Multi Barrel

### Single Barrel system - Fire Curtain



### Multi Barrel system - Fire Curtain



### Applications



Shopping Malls and Buildings



Warehouses and Logistics



Theatres and Cultural Centers



Industrial Sectors



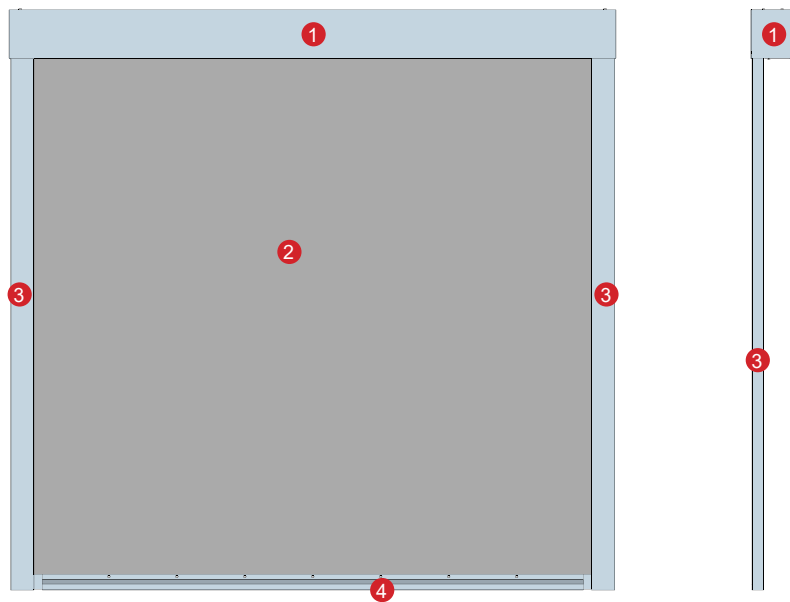
Hotels and Food Processing Sector



Oil and Gas Sector

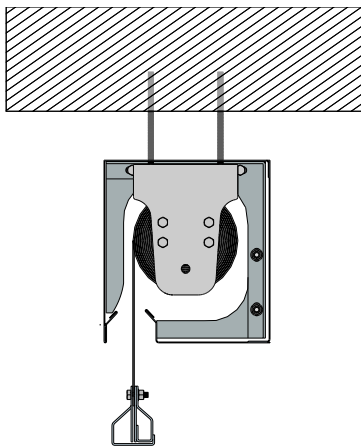
# Fire Curtain

Single & Multi Barrel

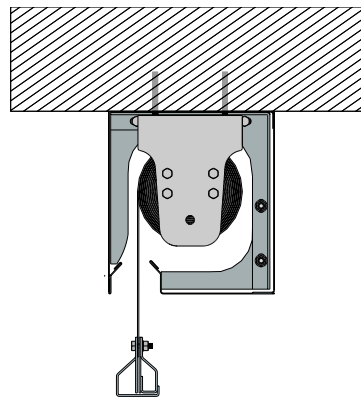


- 1.** Header Box
- 2.** Roller motor with Fabric
- 3.** Side Guide Rails
- 4.** Bottom Bar

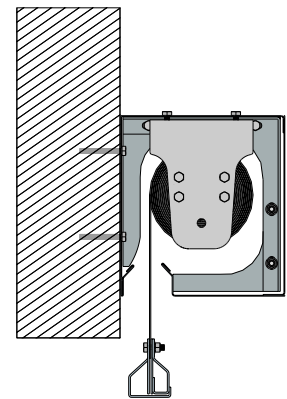
## Head Box Fixing Variants



*Suspended fixing from the ceiling*

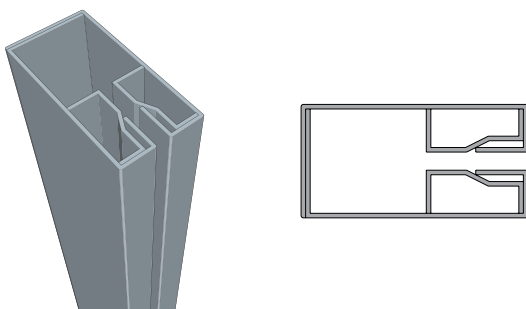


*Direct fixing to the ceiling*



*Fixing directly to the wall*

## Side Guide Details



## Bottom Bar Details

