

EXPLOSION PROOF REMOTE CONTROL MONITOR

DESCRIPTION:

Remote Control Monitor normally consists of monitor, terminal box, main control panel & remote transmitter. The main control panel controls the vertical and horizontal movement of the monitor, fog/straight stream of the nozzle

FEATURES

- Fog and straight stream
- Main power: 24V AC / 50 (or 60) Hz
- Set consists of: monitor, nozzle, terminal box & control panel
- Finishing shall be hard anodized



APPLICATION

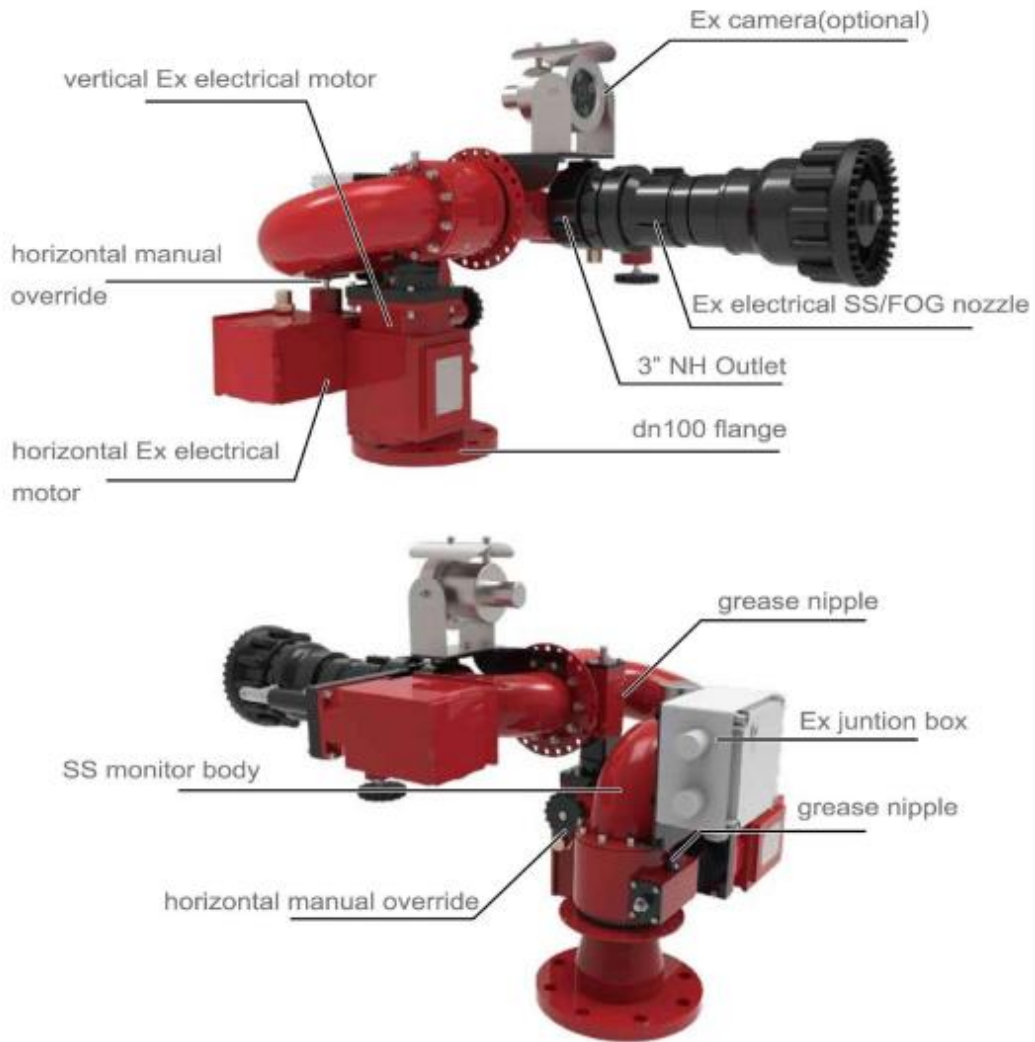
For total flooding applications
Petrochemical plant, Jetty area, Mining region, etc

TECHNICAL DATA

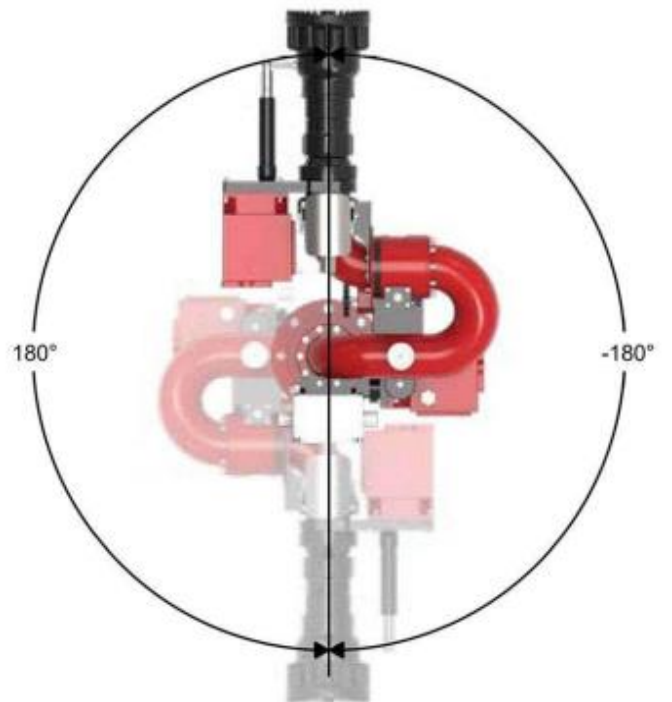
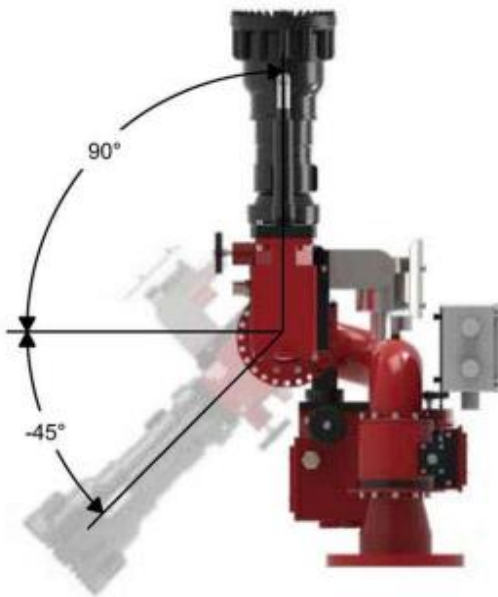
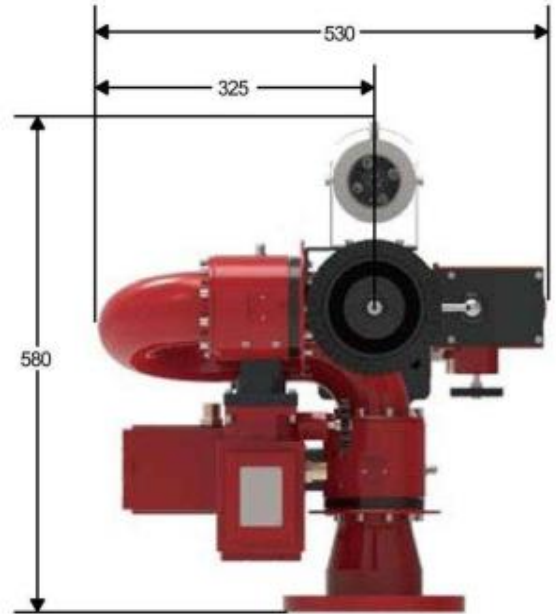
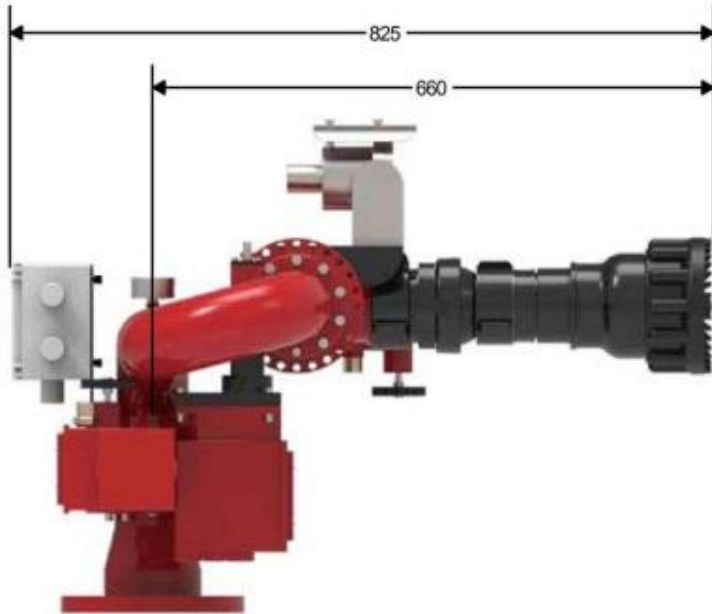
Model	Monitor: NF-EXRM70 Nozzle: NF-EXEN70
Working pressure	10 bar
Flow rate	4000 Lpm @ 7bar
Max. Throw range	75m
Rotation horizontally	360°
Elevate vertically	-40° ~ +90°
Power supply	AC 220V
Power consumption	Max. 195W
Max. Fog angle	120°
Material	Monitor Body: 316 stainless steel Nozzle: 316 stainless steel
Inlet flange size	4" ANSI 150 Flange
Explosion proof class	Exd IIB T4 Gb

PARTS

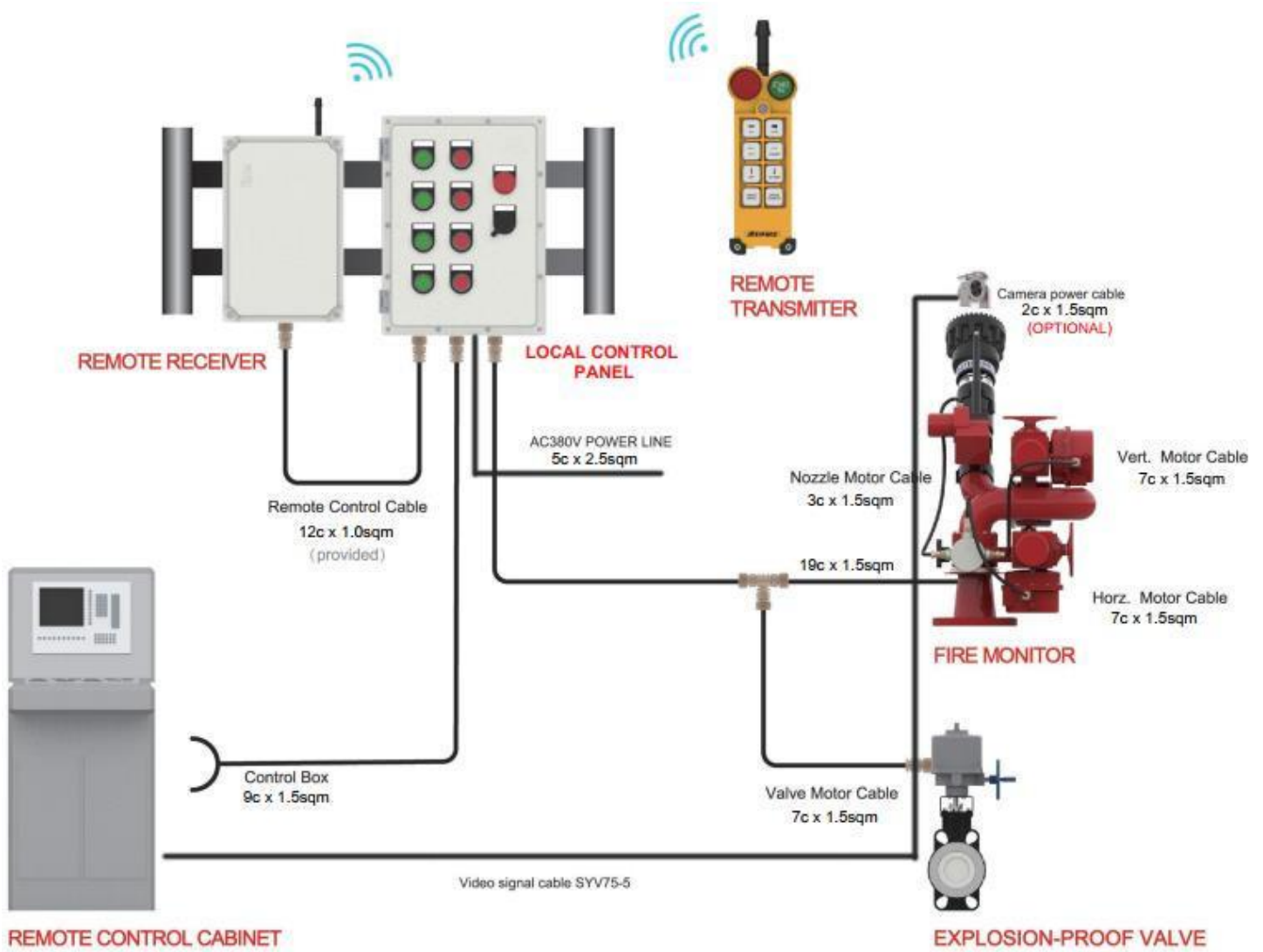
Part list of explosion Proof Electrical Control Monitor Consists as below:



DIMENSION




SYSTEM WIRING DIAGRAM



COMPONENT LIST

NAME	Explosion Proof Monitor Body	Foam/Water Nozzle
IMAGE		
MODEL	NF-EXRM70	NF-EXEN70 - 4000 lpm
	220V AC Electrical motor Explosion Proof Class Exd II B T4 Gb	Explosion Proof Class Exd II BT4 Gb
	SS316 Stainless steel	SS316 Stainless steel
	4"/DN100 Inlet flange	Working Pressure: 10 bar
NAME	Explosion Proof Control Box (Standard)	RC Transmitter (Standard)
IMAGE		
MODEL	NF-EXCB	NF-RCT
DESCRIPTION	Standard Control Box for Industrial Use IP65 Water proof	Max. 150 meters RC Distance IP67 Standard Sealed
NAME	Explosion Proof Control Box (Standard)	Main Control Panel
IMAGE		
MODEL	NF-RCR	NF-CTRL
DESCRIPTION	Max. 150m, IICT4 EX. IP65 water proof	Stainless Steel

NAME	Motor Operated Valve
IMAGE	
MODEL	EX-DN100
DESCRIPTION	DC 24V
	4 inch / DN100, ANSI #150. R.F FLANGE
	Material- Body: SS316; Stem: SS316



**NOTE: In line with NAFFCO policy for continuous product development, NAFFCO has the right to change specifications without prior notice*
