

# TECHNICAL DATA SHEET

## ELECTRIC FIRE WATER MONITOR

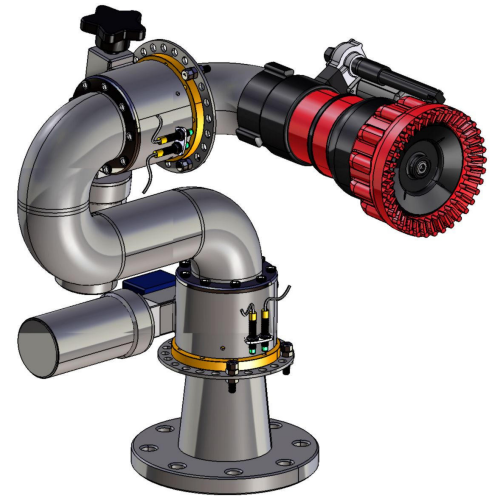
### MODEL: NF-RM50

#### DESCRIPTION:

Remote Control Monitor normally consists of monitor, terminal box, main control panel & joystick. The main control panel controls the vertical and horizontal movement of the monitor, fog/straight stream of the nozzle

#### FEATURES

- Fog and straight stream
- Set consists of: monitor, nozzle, terminal box & control panel
- Finishing shall be hard anodized

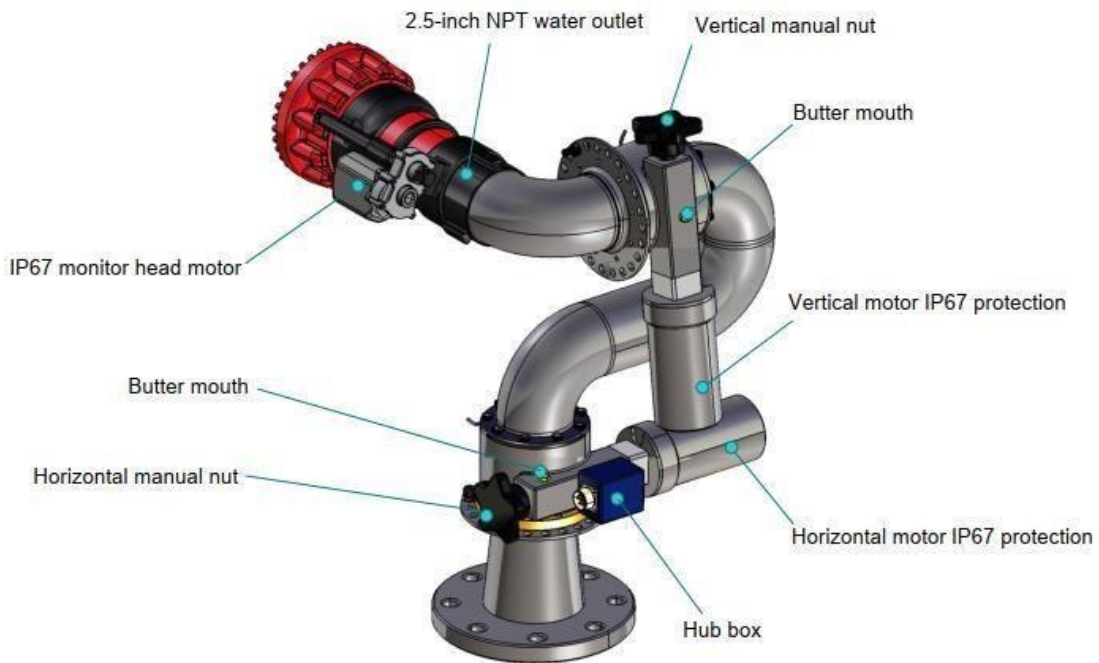
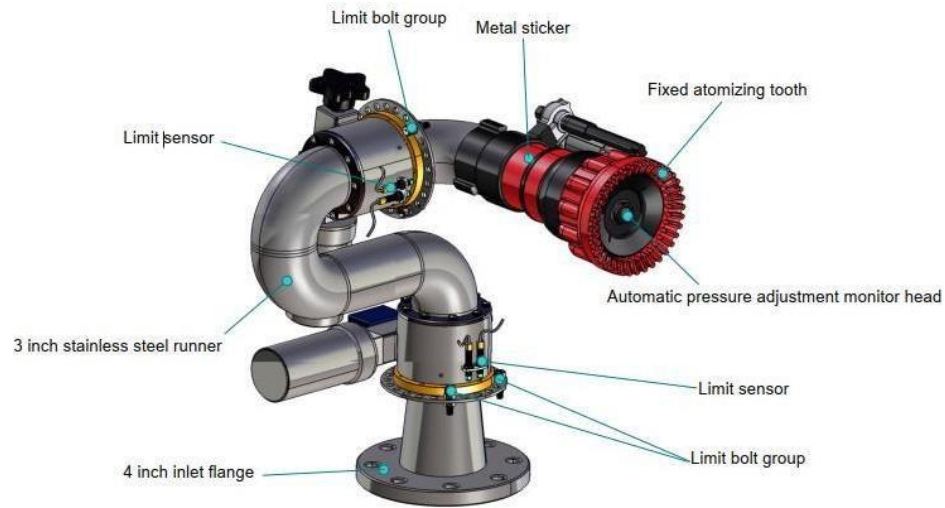


#### APPLICATION:

For total flooding applications Petrochemical plant, Jetty area, mining region, etc.

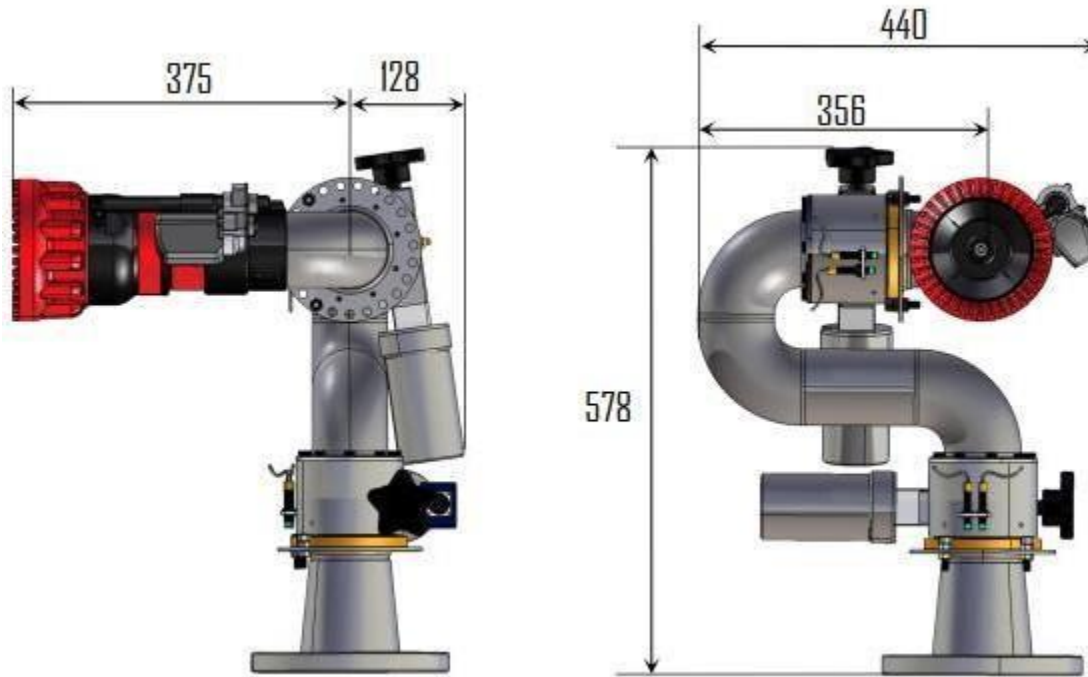
Material	<ul style="list-style-type: none"> <li>- Monitor Body SS316</li> <li>- Nozzle aluminum alloy hard oxidation</li> </ul>
flow @12 Bar	30-80 L/S Automatic pressure adjustment
Range @12 Bar	80m
Rotation angle	+90°/-55° Vertical, 360° Horizontal
Spinning speed	24° /s Horizontal 10° /s Vertical
Max. Power consumption	12V @ 15A 24V @ 7.5A
Power	12VDC & 24VDC 110-380VAC (Optional)
Recoil	1800N
Mounting base requirements	Bearing capacity 8000N

# TECHNICAL DATA SHEET

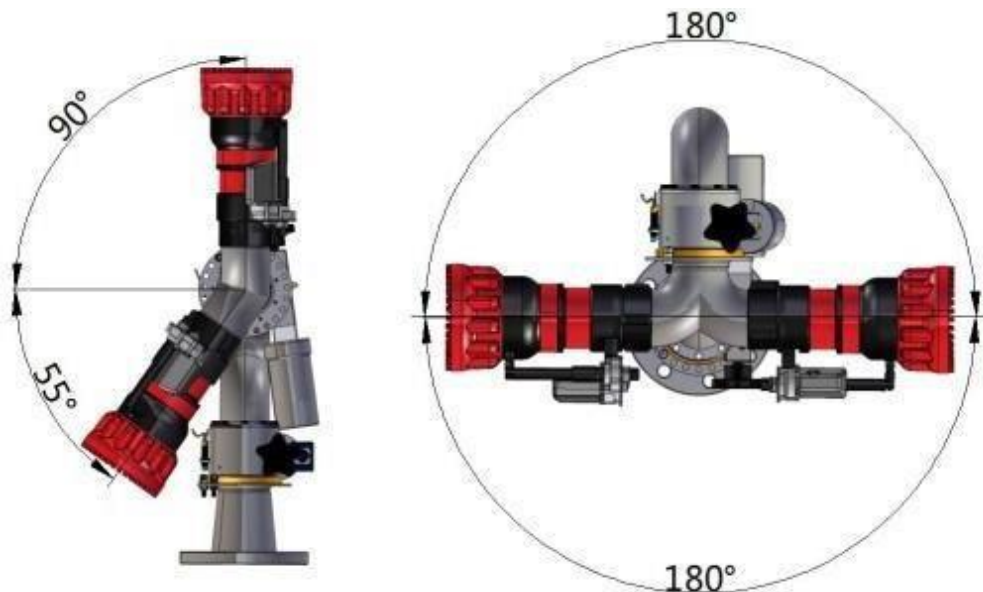


# TECHNICAL DATA SHEET

## Dimension






## Operating Angle Range





## Operating Angle Range

# TECHNICAL DATA SHEET

ITEM	MODEL	DESCRIPTION
<p>Body</p> 	<p>NF-RM50</p>	<ul style="list-style-type: none"> <li>- 2.5 inch water outlet</li> <li>- 3 inch stainless steel runner</li> <li>- Copper turbine stainless steel worm</li> <li>- 4 inch water outlet</li> <li>- 12VDC &amp; 24VDC&amp;220VAC&amp;380VAC power optional</li> </ul>
<p>Automatic pressure adjustment monitor head</p> 	<p>NF-RCN80</p>	<ul style="list-style-type: none"> <li>- 30~80 L/S Automatic pressure adjustment Regardless of the pressure of the water supply, the pressure in the gun body is always constant to ensure the best jet state</li> <li>- IP67 protection level, no monitor coat required for outdoor use</li> </ul>
<p>Master control panel(optional)</p> 	<p>NF-CTRL</p>	<ul style="list-style-type: none"> <li>- Equip with camera, CCTV footage</li> </ul>

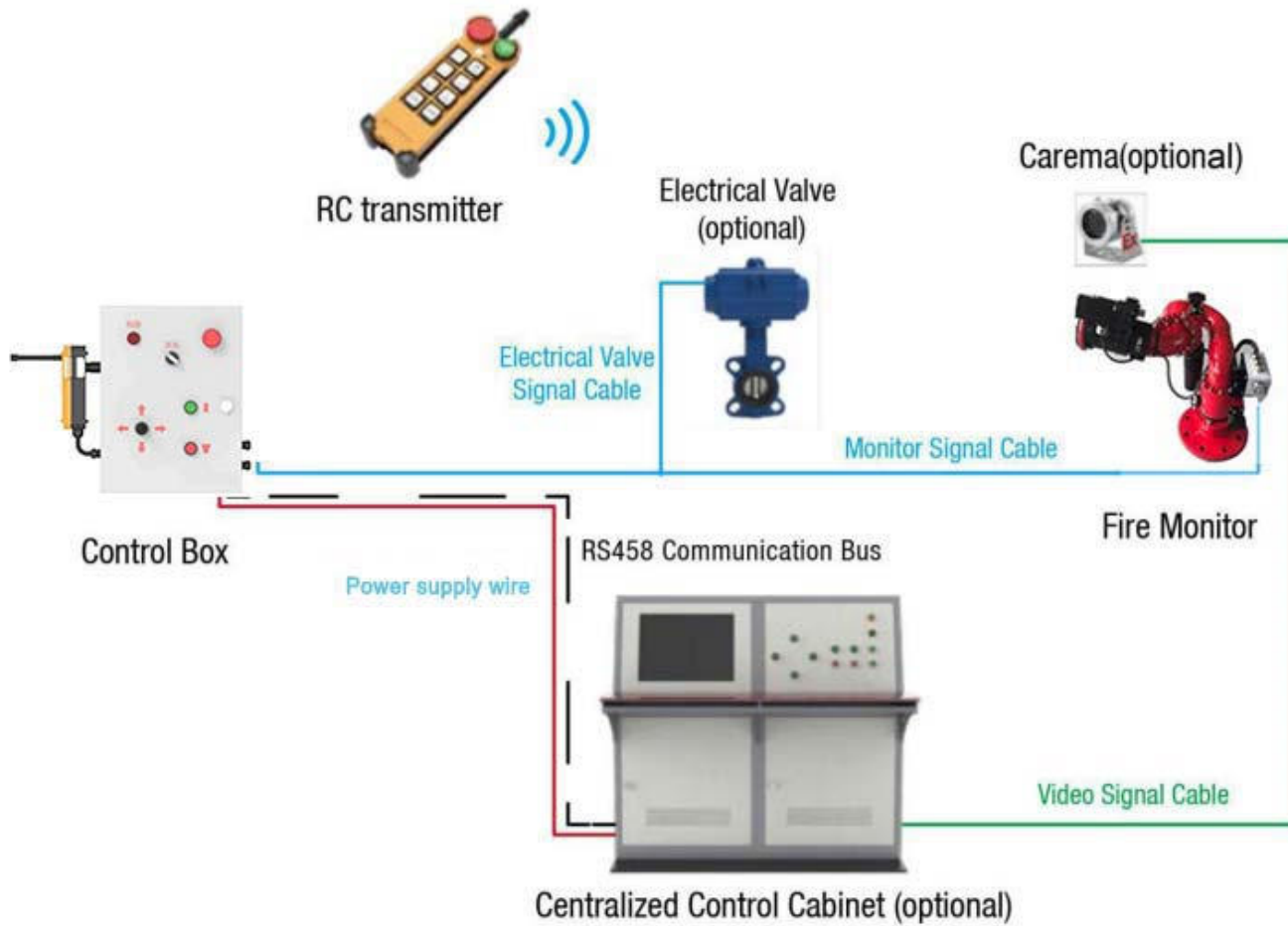
# TECHNICAL DATA SHEET

ITEM	MODEL	DESCRIPTION
<p>Control box</p> 	<p>NF-CB</p>	<ul style="list-style-type: none"> <li>- Aluminum shell</li> <li>- IP67 Protection</li> <li>- Engineering class recommends the use of stainless steel Shell.</li> </ul>
<p>Remote control transmitter</p> 	<p>NF-RCT</p>	<ul style="list-style-type: none"> <li>- Max. 150m Remote</li> </ul>

# TECHNICAL DATA SHEET

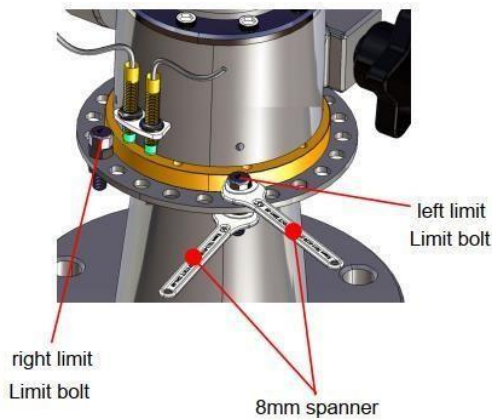
## System Wiring Diagram

### SYSTEM WIRING



# TECHNICAL DATA SHEET

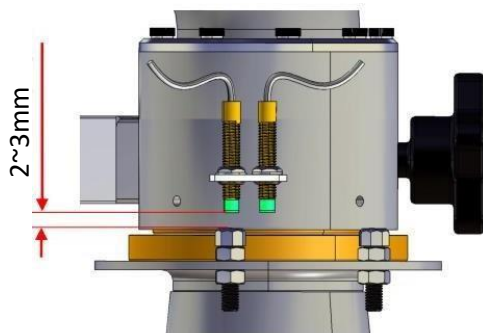
## Limit angle adjustment instructions



The limit angle can be adjusted by adjusting the position of the limit bolt, the minimum adjustment angle is 10 °

The horizontal angle has two sets of limit bolts, which are the left limit and the right limit. Remove any one of them to achieve 360 ° rotation

The bolt must be installed and tightened, otherwise the sensor may be damaged



Note the gap between the sensor and the bolt set too

large or too small gap will affect the limit function

## Performance Graph

