

# FOAM STATION

## MODEL: NFSF 60G

### DESCRIPTION

NAFFCO Foam Station is a self-contained unit that depends on water flow and pressure to keep the system into operation. The unit is constructed in such a manner for one operation to its full potential. The 60 gallon foam station unit consists of 60 gallon foam concentrate, in-line inductor prepiped to a fixed mounted continuous flow hose containing 1.5 inch x 100 feet UL-19 flat hose, foam hose stream nozzle, low expansion branch pipe with ball shut off valve

### FEATURES

- 60 Gallon Tank Capacity
- Single jacket fire hose 1.5" x 30 meters mounted on hose cradle.
- Foam tank manufactured of type 316L stainless steel.
- Nozzle is air aspirating hand line type.
- Variable type 3% & 6% in-line inductor.
- Foam tank provided with level gauge.
- Refilling of tank can be done during operation of unit.
- Suitable for AFFF 3% & AFFF 6%.
- Spray to straight pattern control without shutting of flow.
- Air Aspirating nozzle Model (NF-500LXB) for use with all Foam Concentrate.

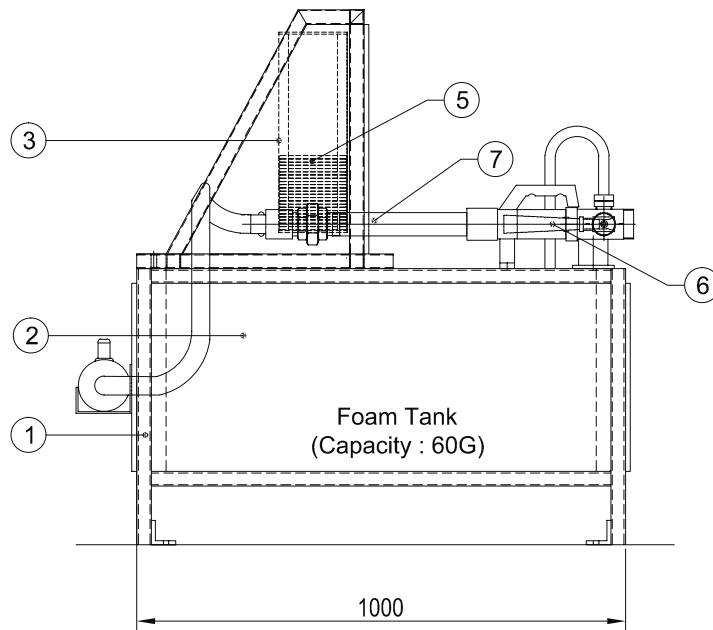
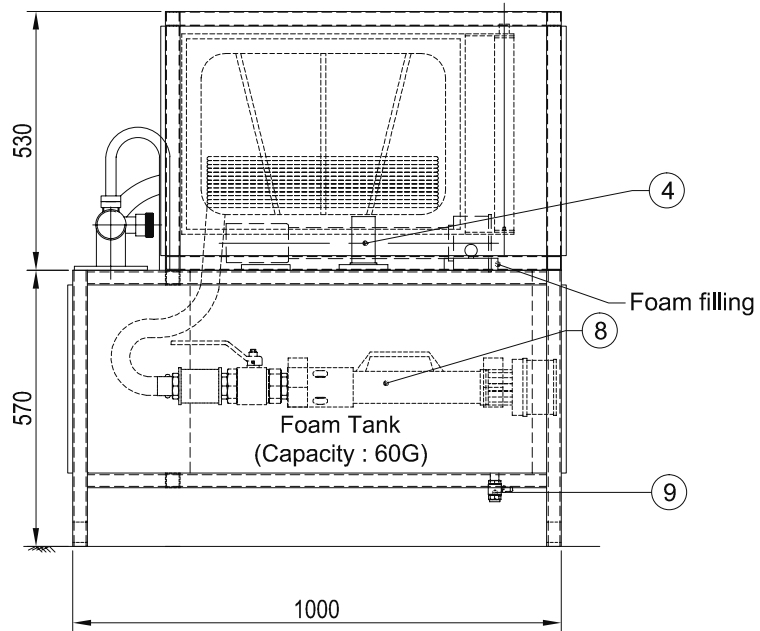
### PERFORMANCE

Foam (%)	Pressure (bar)	Flow (GPM)		Throw (M)	
		Spray	Jet	Spray	Jet
3%	7-9	80-90	82-93	10	16-19
6%	7-9	78-88	80-91	10	14-18



### ORDERING INFORMATION

Model	Description
NFSF 60G HC3	Foam Station with Layflat Fire Hose 1.5" x 30 m Cradle Mounted, AFFF 3%
NFSF 60G HC6	Foam Station with Layflat Fire Hose 1.5" x 30 m Cradle Mounted, AFFF 6%



## ORDERING INFORMATION

No.	Description	Material
1	Base Frame	Mild Steel, Fabricated
2	Foam Tank (400x700x900)	Stainless Steel Sheet 316L
3	Hose Cradle	E.G. Steel
4	Level Gauge	---
5	1.5" x 30 m Hose	Single Jacket, FM Approved

No.	Description	Material
6	Foam Inductor (NFL-35)	Aluminum + Brass
7	Pipeline 1.5"	Stainless Steel Sheet
8	Nozzle (NF-500LXB)	Aluminum
9	Drain Valve ½"	Brass, Nickel Plate

# FOAM STATION

MODEL: NF-HRS60G, NF-HRS36G



## DESCRIPTION

NAFFCO Foam Station is a self-contained unit that depends on water flow and pressure to keep the system into operation. The unit is constructed in such a manner for one operation to its full potential. The 36 or 60 gallon foam station unit consists of 60 gallon foam concentrate, in-line inductor prepiped to a fixed mounted continuous flow hose containing 1.5 inch x 100 feet Flexible Rubber hose, foam hose stream nozzle, low expansion branch pipe with ball shut off valve

## FEATURES

- 36 or 60 Gallon Tank Capacity
- Flexible Rubber hose 1.5" x 30 meters with 1½ NPT THD Coupling
- Foam tank manufactured of type 316L stainless steel.
- Nozzle is air-aspiration model (NF-225LXB)
- Variable type 3% & 6% in-line inductor. (NF-F160G)
- Foam tank provided with level gauge.
- Refilling of tank can be done during operation of unit.
- Suitable for AFFF 3% & AFFF 6%.



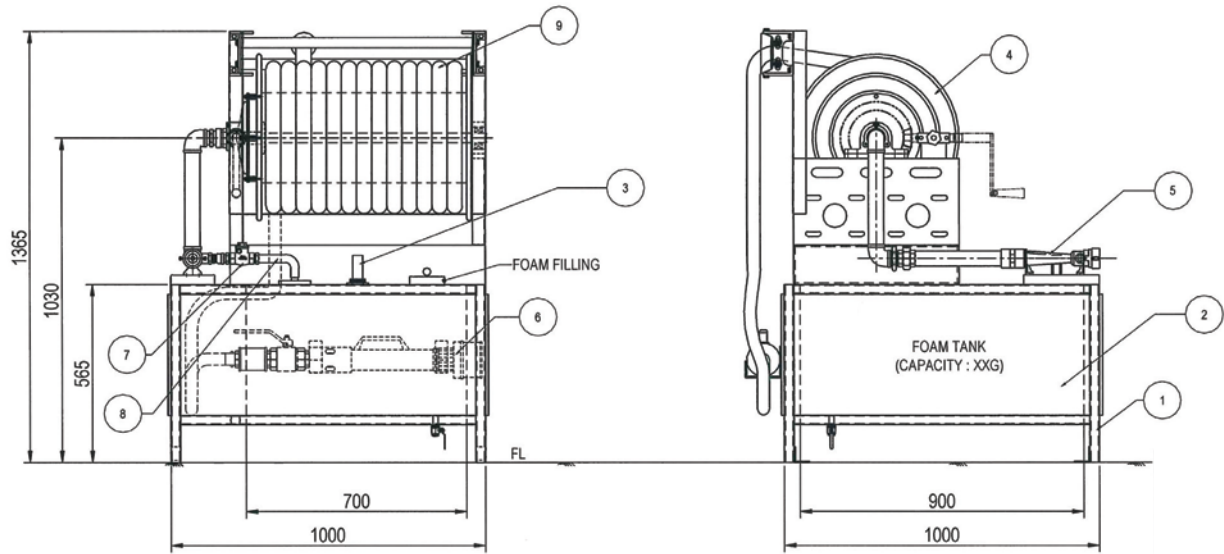
## PERFORMANCE

Foam (%)	Pressure (bar)	Flow (GPM)		Throw (M)	
		Spray	Jet	Spray	Jet
3%	7	57	57	13	15

6%	7	57	57	13	15
----	---	----	----	----	----

## ORDERING INFORMATION

Model	Description
NF-HRS 36G HC3	Foam station 36G with fire hose reel unit 1.5"x30 m flexible rubber hose AFFF 3%
NF-HRS 36G HC6	Foam station 36G with fire hose reel unit 1.5"x30 m flexible rubber hose AFFF 6%
NF-HRS 60G HC3	Foam station 60G with fire hose reel unit 1.5"x30 m flexible rubber hose AFFF 3%
NF-HRS 60G HC6	Foam station 60G with fire hose reel unit 1.5"x30 m flexible rubber hose AFFF 6%



Item No.	Description	Material/Model	Drawing No.	Qty.
1	Base Frame	Mild Steel	--	1
2	Foam Tank Capacity, 60Gal	Stainless Steel 316 Sheet, 2mm THK	--	1
3	Level Gauge	--	--	1
4	Hose Reel Unit	NF HRS 40	NF/FS-NFHRS60G-ASSY/18-02	1
5	Foam Inductor	Bronze/NF-FI60G	NF/FS-NFHRS60G-ASSY/18-03	1
6	Nozzle	Bronze/NF-225LXB	NF/FS-NFHRS60G-ASSY/18-04	1
7	Check Valve, 3/4"	Brass/SD-SCV20, Make-Shield	--	1
8	Pick-Up Tube	Braided PVC	--	1
9	Flexible Rubber Hose (1-1/2" x 30 m) with 1-1/2" NPT THD coupling	Flexible Synthetic Rubber, Make-HIC	--	1