

FOAM STATION WITH BLADDER TANK & HOSE REEL UNIT

MODEL: NFSB 36G



DESCRIPTION

NAFFCO Foam Station is a self-contained foam proportioning system that requires only water supply to keep the unit in operation. The Unit consists of 36 gallon vertical bladder tank with prepped 2.5" ratio controller connected to a continuous flow hose reel with 1.5 inch x 100 feet, flexible rubber hose, foam hose stream nozzle, low expansion branch pipe with ball shut off valve.

FEATURES

- 36 Gallon Tank Capacity
- One man operation
- Sturdy construction unit, red painted, completely assembled.
- 2.5" ratio controller provides a wide flow range with minimal pressure lose.
- Ratio controller concentrate inlet orifice is present to ensure correct proportioning.
- Suitable for AFFF 3% & AFFF 6%.
- Spray to straight pattern control without shutting of flow.
- Air Aspirating nozzle for use with all Foam Concentrate.



OPTIONS

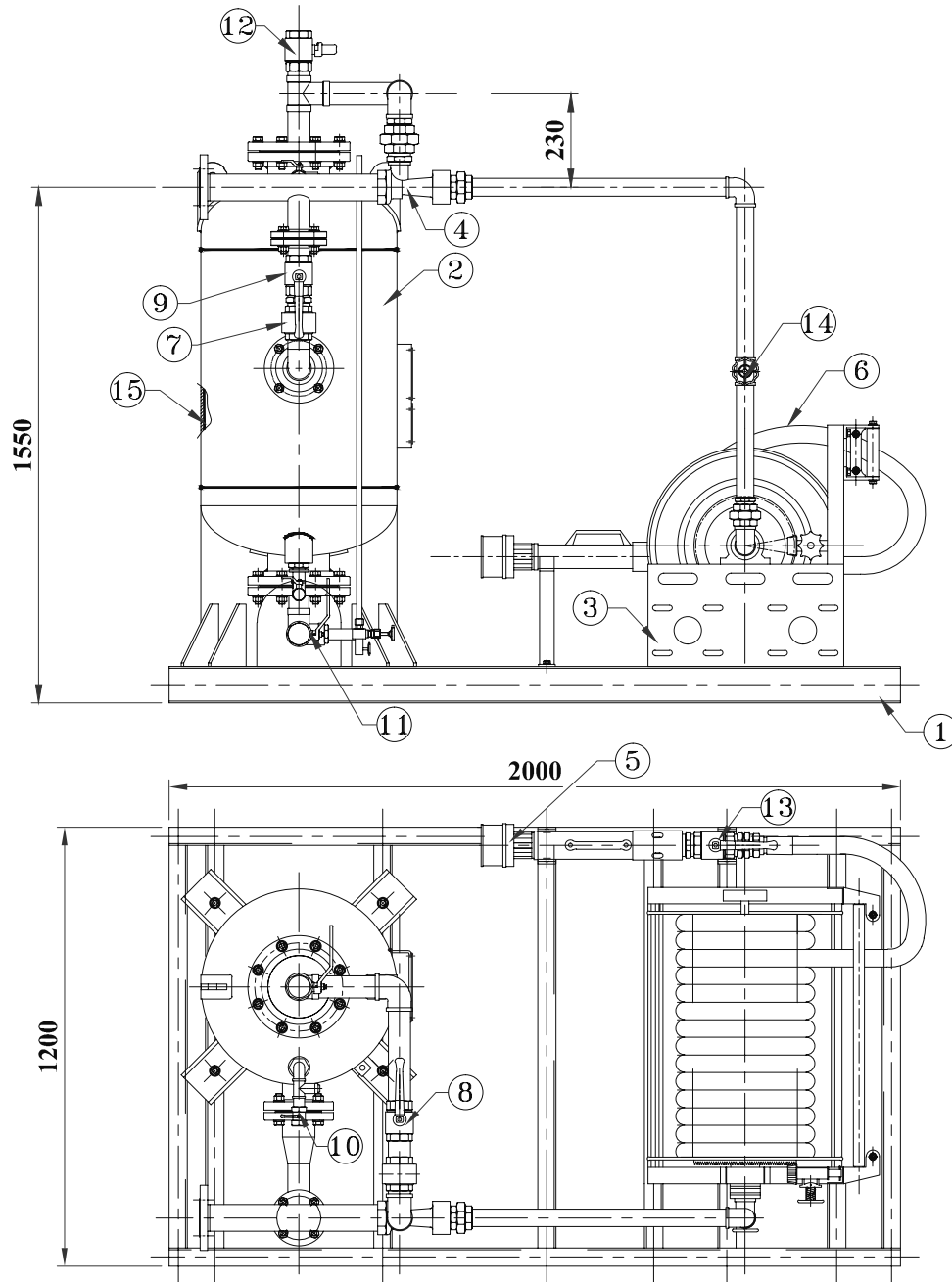
- Single jacket fire hose 1.5" x 30 meters mounted on hose cradle.

PERFORMANCE

Foam (%)	Pressure (bar)	Flow (GPM)		Throw (M)	
		Spray	Jet	Spray	Jet
3%	6-8	90-104	90-105	10	15-18
6%	6-8	91-102	91-106	10	15-18

ORDERING INFORMATION

Model	Description
NFSB 36G HR3	Foam Station with Hose Reel Unit 1.5" x 30 m Flexible Rubber Hose, AFFF 3%
NFSB 36G HR6	Foam Station with Hose Reel Unit 1.5" x 30 m Flexible Rubber Hose, AFFF 6%



MATERIAL OF CONSTRUCTION

No.	Description	Material
1	Skid 2000 x 1200	Mild Steel, Fabricated
2	Bladder Tank 36 Gal.	Carbon Steel SA 516 Gr.70
3	Hose Reel Unit	Steel Painted
4	Ratio Controller	Brass
5	Foam Hose Stream Nozzle, NF-500LXB	Aluminum
6	Foam Water Hose	Flexible Synthetic Rubber
7	NRV 2"	Brass
8	Concentrate Outlet Valve 2"	Brass, Nickel Plate

9	Water Inlet Valve 2"	Brass, Nickel Plate
10	Tank Water Vent Valve 1"	Brass, Nickel Plate
11	Concentrate Drain/ Fill Valve 1"	Brass, Nickel Plate
12	Concentrate Vent/ Fill Valve 1"	Brass, Nickel Plate
13	Nozzle Shut-Off Valve 2"	Brass, Nickel Plate
14	Gate Valve 1½"	Brass
15	Bladder Bag	Vinyl Based Polymer/ Buna-N/Neoprene