

MEDIUM EXPANSION FOAM GENERATOR/BUND POURER (PORTABLE/FIXED TYPE) MODEL: NF-MEFG SERIES

DESCRIPTION

Medium expansion foam generators are designed to use with matching in-line inductor or premixed solution. These are useful in a wide range of fire & hazardous situations involving combustible solid, flammable liquids and toxic liquid spills etc. Rapid coverage with foam make the unit suitable for both indoor & outdoor fire situations as well as for enclosed area used for storage of hazardous materials and also to suppress fire and Vapor risks by rapid flooding with foam.

FEATURES

- Designed to use with matching in-line inductor or premixed solution
- High volume of stable foam
- Rapid coverage
- Operates at low inlet foam-water solution pressure
- Long throw of cohesive foam stream
- Light in weight for easy portability
- Ideally suited for tank farm protection

APPLICATIONS

- Bund/dyke protection of tank for petroleum products
- Flooding of basement, tunnels & ducts, engine rooms, go downs etc.
- To control fires, involving liquefied natural gas (LNG) and liquefied petroleum gas (LPG) including control of Vapor dispersion for LNG/LPG and ammonia spills.
- For suppressing flammable/toxic Vapor.



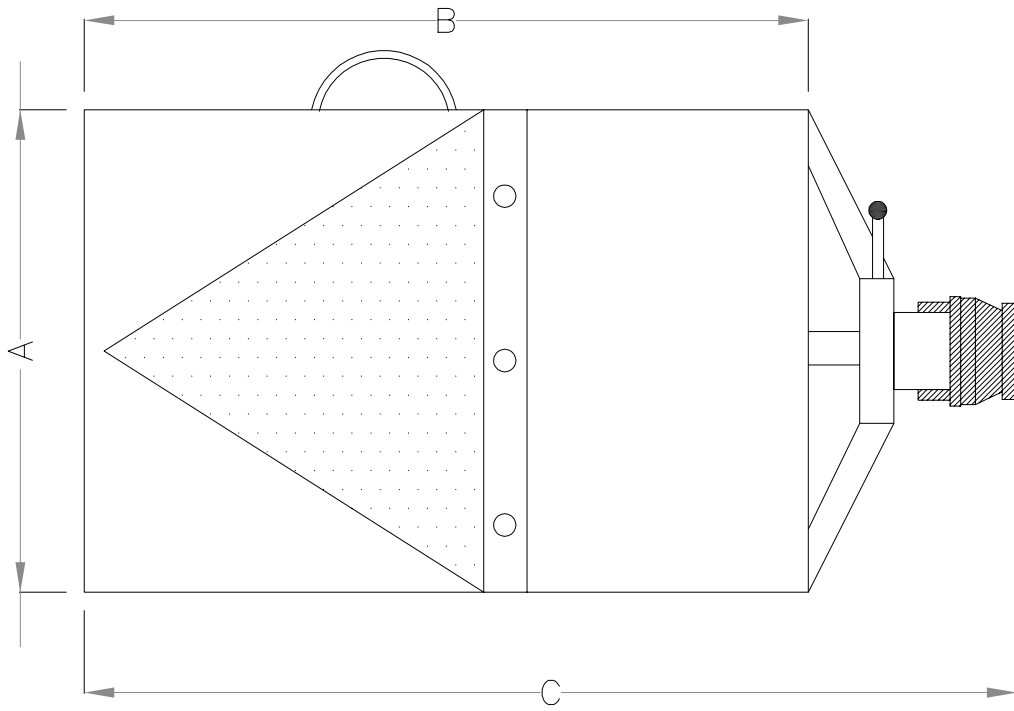
MATERIAL OF CONSTRUCTION

	Material
Shell	SS304/SS316
Nozzle	Chrome plated Gun Metal
Foam Screen	SS304/SS316
Flange	SS304/SS316
Coupling	SS304/SS316/Gun Metal

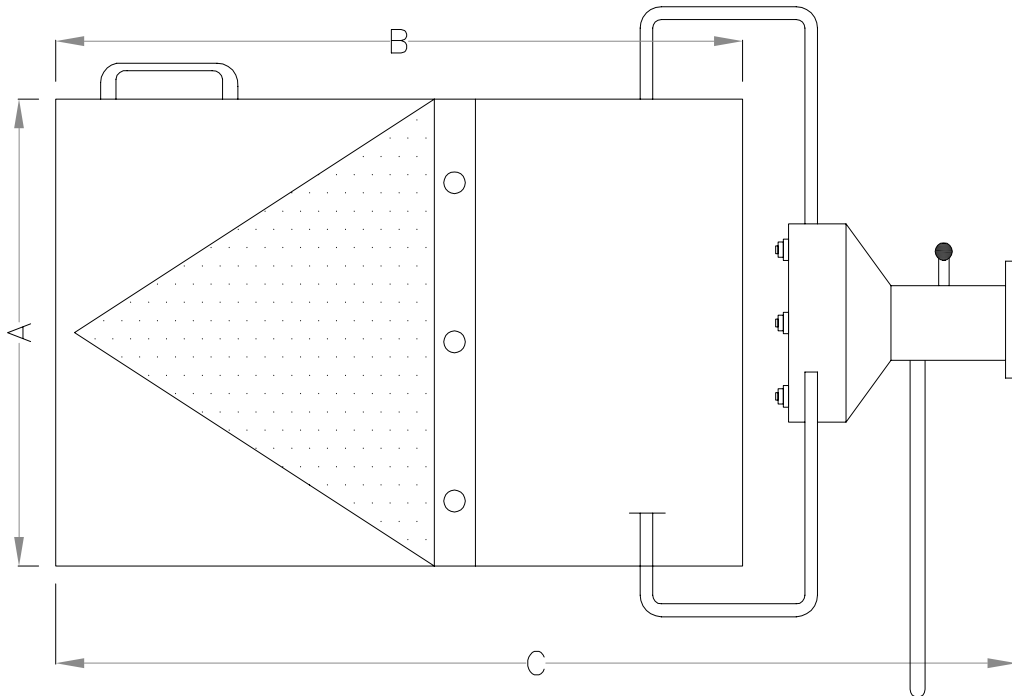
NOTE: Portable models are provided with 2.5" BSP coupling and fixed models with flanges. Size as per client requirement.

TECHNICAL DATA (±5%)

Model	Type	Inlet Pressure bar	Water Flow (nominal) at 3 bar, LPM)	Foam Output M3/min	Foam Expansion Ratio	Throw m	No. of Nozzle	K-factor
NF-MEFG-225L	Portable	2.5-4.0	250	11.5	35-60	6	1	115
NF-MEFG-400L	Portable	2.5-4.1	400	20	35-61	5	1	242
NF-MEFG-450L	Portable	2.5-4.2	450	22.5	35-62	5	1	259
NF-MEFG-600L	Fixed	2.5-4.3	600	30	35-63	4	3	364
NF-MEFG-900L	Fixed	2.5-4.4	900	45	35-64	4	4	481
NF-MEFG-1200L	Fixed	2.5-4.5	1200	60	40-60	3	6	641
NF-MEFG-1600L	Fixed	2.5-4.6	1600	80	40-61	3	6	810
NF-MEFG-1800L	Fixed	1.5-4.0	1800	90	40-62	3	6	945



	NF-MEFG-225L	NF-MEFG-400L/NF-MEFG-450L
A	150	200
B	350	400
C	550	600
Inlet Size	2½" BSP	



	NF-MEFG-600L	NF-MEFG-900L	NF-MEFG-1200L	NF-MEFG-1600L	NF-MEFG-1800L
A	300	350	400	400	400
B	400	500	550	600	600
C	750	800	900	950	950
Inlet	Flange ANSI Class 150, Sizes as per customer requirement				