

► NFDO / CE - Centrifugal In-line Circular Duct Fan

NFDO / CE fans can be used in low to medium volume requirements. Easy-to-install and low noise level and power usage makes it a good option for commercial use.



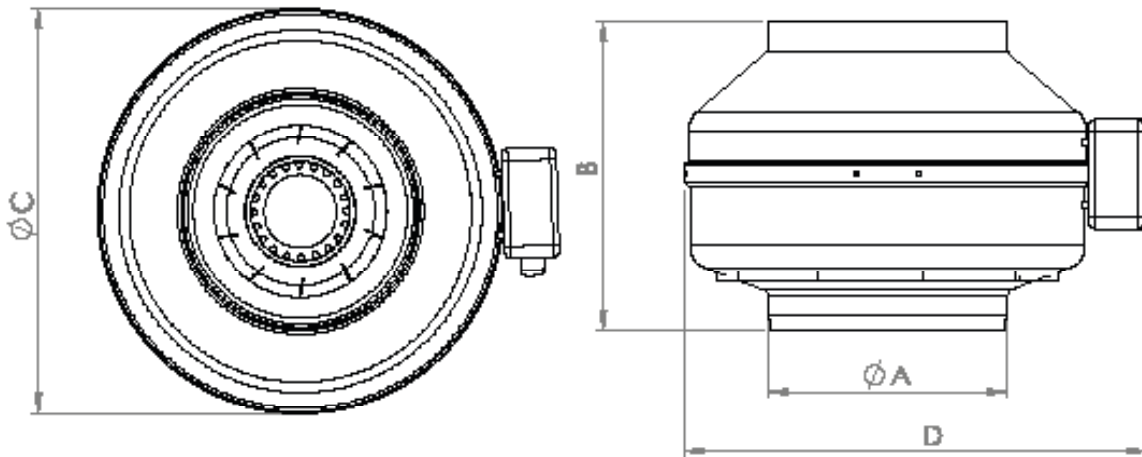
| | |
|------------------------|----------------------------|
| MOTOR INSULATION CLASS | F CLASS |
| MOTOR PROTECTION CLASS | IP 44 |
| MOTOR EFFICIENCY CLASS | - |
| MOTOR ENCLOSURE TYPE | EXTERNAL ROTOR MOTOR |
| MOTOR BRAND | NAFFCO |
| BODY MATERIAL | GALVANIZED SHEET METAL |
| BODY COATING | NONE |
| IMPELLER MATERIAL | GALVANIZED SHEET METAL |
| DUTY CYCLE | IEC Duty Cycle-S1 |
| WORKING TEMPERATURE | -20 - +50 °C |
| STANDARDS | IEC-60335-2-80, ISO 1940-1 |



| MODEL | VOLTAGE (V) | FREQUENCY (Hz) | POWER (W) | REVOLUTION (rpm) | FLOW RATE (m ³ /h) | NOISE LEVEL (dB(A)) |
|-------------|-------------|----------------|-----------|------------------|-------------------------------|---------------------|
| NFDO/CE 100 | 230 | 50 | 80 | 2.600 | 290 | 47 |
| NFDO/CE 125 | 230 | 50 | 80 | 2.600 | 410 | 47 |
| NFDO/CE 150 | 230 | 50 | 85 | 2.600 | 700 | 50 |
| NFDO/CE 160 | 230 | 50 | 85 | 2.600 | 710 | 51 |
| NFDO/CE 200 | 230 | 50 | 122 | 2.675 | 1.000 | 52 |
| NFDO/CE 250 | 230 | 50 | 145 | 2.685 | 1.120 | 54 |
| NFDO/CE 315 | 230 | 50 | 210 | 2.615 | 1.750 | 57 |
| NFDO/CE 355 | 230 | 50 | 380 | 2.480 | 2.200 | 59 |

Values are for 0 Pa.

DRAWING



| MODEL | A (mm) | B (mm) | C (mm) | D (mm) |
|-------------|--------|--------|--------|--------|
| NFDO/CE 100 | 100 | 208 | 246 | 290 |
| NFDO/CE 125 | 100 | 208 | 246 | 290 |
| NFDO/CE 150 | 150 | 196 | 270 | 320 |
| NFDO/CE 160 | 160 | 196 | 270 | 320 |
| NFDO/CE 200 | 200 | 255 | 333 | 380 |
| NFDO/CE 250 | 250 | 234 | 331 | 380 |
| NFDO/CE 315 | 315 | 283 | 401 | 450 |
| NFDO/CE 355 | 315 | 283 | 401 | 450 |