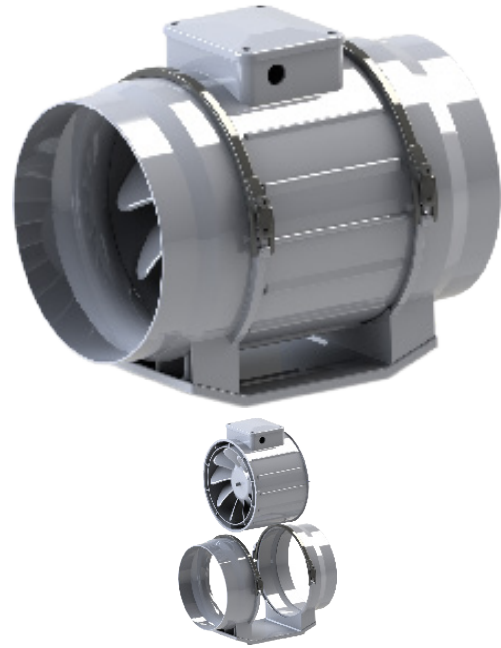


## ► NFDO / MX - Mixed Flow Plastic In-line Fan

NFDO / MX fans have a mixed flow impeller with a high efficiency motor for your ventilation needs. Efficient motor allows for a controlled use depending on needs.

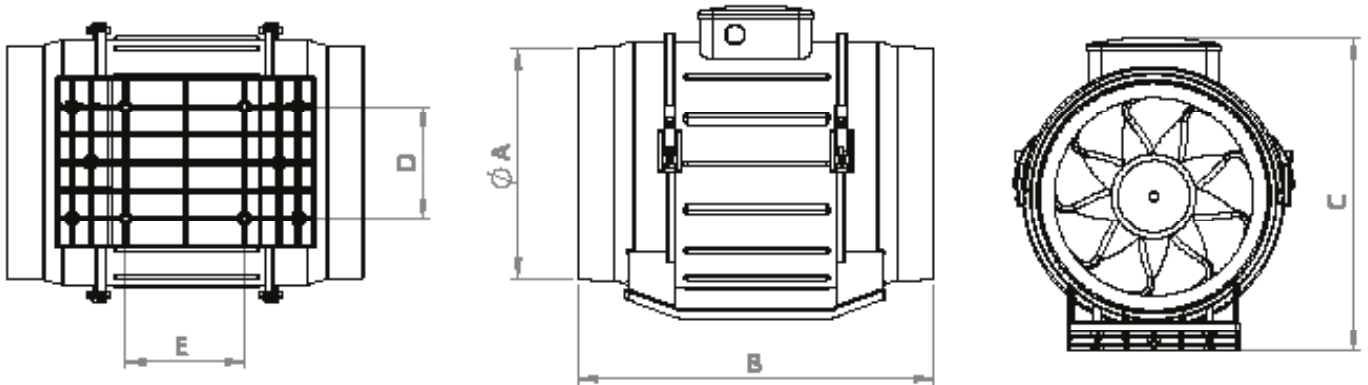


|                        |                            |
|------------------------|----------------------------|
| MOTOR INSULATION CLASS | F CLASS                    |
| MOTOR PROTECTION CLASS | IP 44                      |
| MOTOR EFFICIENCY CLASS | -                          |
| MOTOR ENCLOSURE TYPE   | EXTERNAL ROTOR MOTOR       |
| MOTOR BRAND            | NAFFCO                     |
| BODY MATERIAL          | PLASTIC                    |
| BODY COATING           | NONE                       |
| IMPELLER MATERIAL      | PLASTIC                    |
| DUTY CYCLE             | IEC Duty Cycle-S1          |
| WORKING TEMPERATURE    | -20 - +50 °C               |
| STANDARDS              | IEC-60335-2-80, ISO 1940-1 |

| MODEL       | VOLTAGE (V) | FREQUENCY (Hz) | POWER (W) | REVOLUTION (rpm) | FLOW RATE (m <sup>3</sup> /h) | NOISE LEVEL (dB(A)) |
|-------------|-------------|----------------|-----------|------------------|-------------------------------|---------------------|
| NFDO/MX 100 | 230         | 50             | 54        | 2.460            | 234                           | 41                  |
| NFDO/MX 125 | 230         | 50             | 56        | 2.560            | 337                           | 46                  |
| NFDO/MX 150 | 230         | 50             | 75        | 2.490            | 504                           | 48                  |
| NFDO/MX 160 | 230         | 50             | 75        | 2.490            | 560                           | 49                  |
| NFDO/MX 200 | 230         | 50             | 111       | 2.410            | 1.012                         | 54                  |

Values are for 0 Pa.

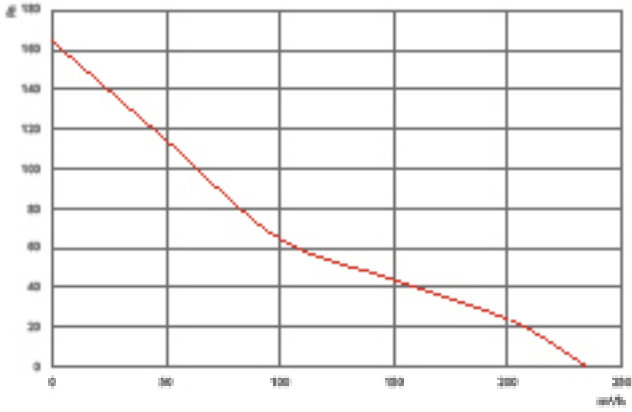
## DRAWING



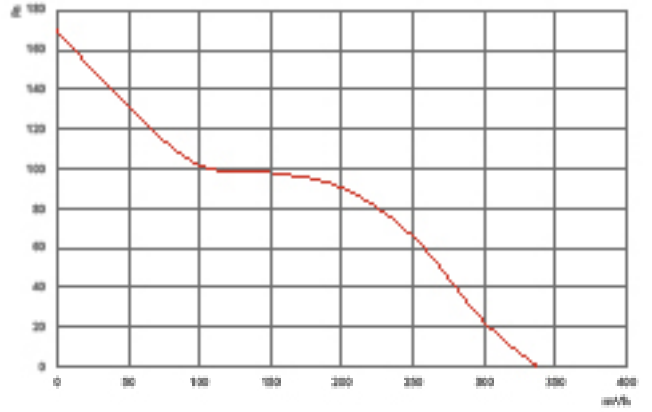
| MODEL       | A (mm) | B (mm) | C (mm) | D (mm) | E (mm) |
|-------------|--------|--------|--------|--------|--------|
| NFDO/MX 100 | 96     | 306,5  | 215    | 60     | 80     |
| NFDO/MX 125 | 121    | 260    | 215    | 60     | 80     |
| NFDO/MX 150 | 146    | 290,5  | 242    | 60     | 80     |
| NFDO/MX 160 | 156    | 271    | 242    | 60     | 80     |
| NFDO/MX 200 | 191    | 300    | 263    | 94     | 100    |

# PERFORMANCE CURVES

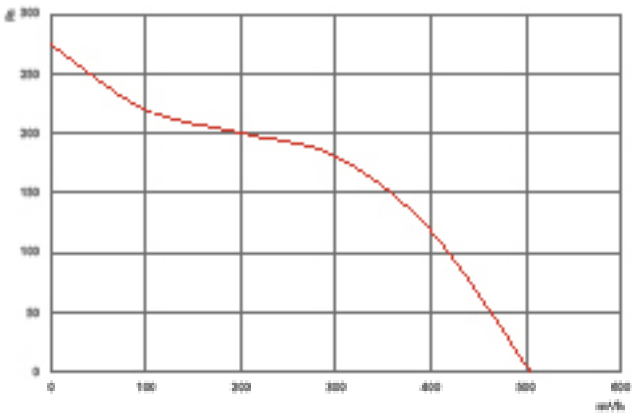
NFDO/MX 100



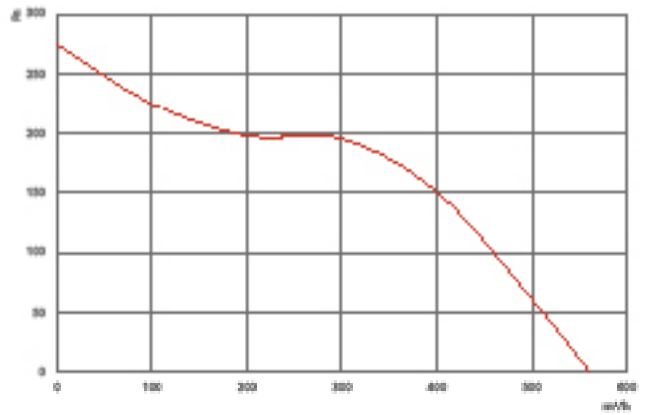
NFDO/MX 125



NFDO/MX 150



NFDO/MX 160



NFDO/MX 200

