

► NFWDE - Wall Mounted Axial Fan

NFWDE fans can be used when low volume required. It is easy to install to walls and windows. Low noise level and power usage makes it an ideal solution for commercial usage.

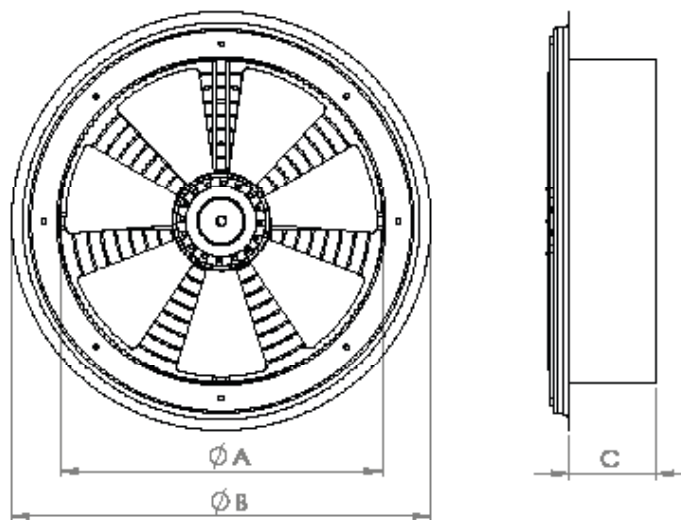


MOTOR INSULATION CLASS	F CLASS
MOTOR PROTECTION CLASS	IP 44
MOTOR EFFICIENCY CLASS	-
MOTOR ENCLOSURE TYPE	EXTERNAL ROTOR MOTOR
MOTOR BRAND	NAFFCO
BODY MATERIAL	GALVANIZED SHEET METAL
BODY COATING	POWDER COATING
IMPELLER MATERIAL	GALVANIZED SHEET METAL
DUTY CYCLE	IEC Duty Cycle-S1
WORKING TEMPERATURE	-20 - +50 °C
STANDARDS	IEC-60335-2-80, ISO 1940-1

MODEL	VOLTAGE (V)	FREQUENCY (Hz)	POWER (W)	REVOLUTION (rpm)	FLOW RATE (m ³ /h)	NOISE LEVEL (dB(A))
NFWDE 200	230	50	70	2.650	680	50
NFWDE 250	230	50	100	2.700	1.500	52
NFWDE 300	230	50	163	2.550	2.025	54
NFWDE 350	230	50	240	2.250	3.110	58

Values are for 0 Pa.

DRAWING



MODEL	A (mm)	B (mm)	C (mm)
NFWDE 200	197	290	70
NFWDE 250	247	340	70
NFWDE 300	297	390	80
NFWDE 350	347	440	80